



Cassarya

C A B I N E T R Y

Where Craftsmanship Meets
the Art of Fine Living





Rivoli Collection

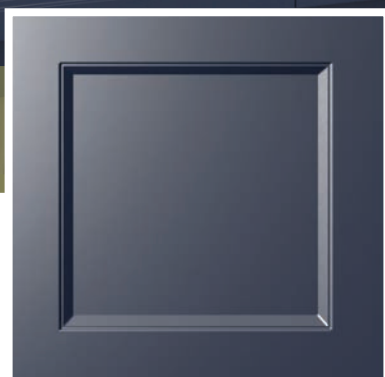
The city of Rivoli welcomes you with its medieval charm. Our collection's transitional style blends modern elements with traditional detail for a touch of that historic allure.

- Bright white recessed cove
- Premium high-quality painted finish



Milazzo Collection

Milazzo is a city fuelled by water. From ancient Roman tales to the ocean sports of today, the sea is its centerpiece. We've brought Milazzo to your home with the deep blue panelling of our transitional design, turning your day-to-day into a permanent vacation.



- Midnight blue recessed cove
- Premium high-quality painted finish







Barletta Collection

Like its namesake on the Adriatic sea, our Barletta collection conjures up a warm summer evening by the water. Natural, cozy, and rich, it's a sumptuous indulgence for your senses.



- Warm white wide-rail shaker
- Premium high-quality painted finish



Veneto Collection



As you weave your way through the streets and canals of Venice, you experience a sense of wonder and awe. We've brought that same spirit to our Veneto collection with its rich, striking color and distinct style.

- Slate gray wide-rail shaker
- Premium high-quality painted finish









Naples Collection

Spending a day in Naples can feel like travelling back in time. The buildings carry a historic reverence for beauty not seen often in modern times. With our Naples collection, the soft gray tones of ancient marble journey to your home, imparting a touch of romance.



- Light gray recessed panel
- Premium high-quality painted finish



Marsala Collection

A rich Marsala wine can enhance any mood—just like our Marsala collection. Whether it's the scene for your culinary adventures or a meeting space for your loved ones, the smooth lines of Marsala will add a soothing backdrop to your moments and memories.

- Bright white slab profile
- Silky paint-like laminated finish





Sassari Collection

Known for its local artisans, Sassari is where you'll find your perfect Italian souvenir. The bold finish and texture of our Sassari collection is inspired by these contemporary craftsmen.

- Burnt walnut slab profile
- Vertical grain laminated finish



FINISHING TOUCHES

Add stylish finishing touches to your project with our choice of color-matched panels and trims, designed to complete your kitchen beautifully. Our cover panels and fillers are finished on both sides and all four edges. And our selection of storage accessories maximizes space, creating the organized kitchen you've always wanted!



INTERNAL GLASS SHELVES



LEMANS PREMIUM CORNER PULL-OUT



FLOATING SHELVES



LAZY SUSAN



HIDDEN DRAWERS



HIDDEN DRAWERS/ROLL-OUT TRAYS



COVE CROWN MOULDINGS & GLASS DOORS



CUTLERY TRAYS



SPICE RACK PULL-OUT



COVER PANELS



DESIGNER LINEN INTERIOR



LIGHT VALANCES



PULL-OUT RECYCLING/TRASH BINS



UNDER SINK MAT



BASE MOULDINGS

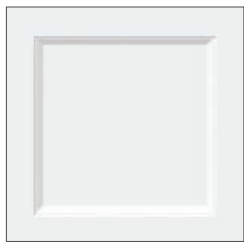


MAGIC CORNER PULL-OUT

DOOR & DRAWER SIZES

Our quality-constructed doors use only premium materials enhanced with stunning, chic finishes. Guaranteed to be enjoyed for years to come.

DESIGNER NOTE: this brochure is for use with 20.20 catalogs:
for USA: CADSUSA
for Canada: CADSCDN



RIVOLI



MILAZZO



BARLETTA



VENETO



NAPLES



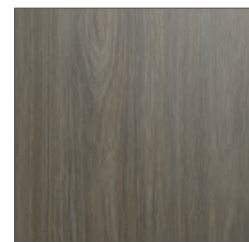
AMALFI



PALERMO



MARSALA



SASSARI

DOOR FRONTS (WxDxH)

| | | |
|--------------------|--------------------|--------------------|
| 13 1/2 x 3/4 x 10" | 12 x 3/4 x 25" | 9 x 3/4 x 35" |
| 15 x 3/4 x 10" | 13 1/2 x 3/4 x 25" | 12 x 3/4 x 35" |
| 16 1/2 x 3/4 x 10" | 15 x 3/4 x 25" | 13 1/8 x 3/4 x 35" |
| 18 x 3/4 x 10" | 16 1/2 x 3/4 x 25" | 13 1/2 x 3/4 x 35" |
| 13 1/2 x 3/4 x 15" | 18 x 3/4 x 25" | 15 x 3/4 x 35" |
| 15 x 3/4 x 15" | 21 x 3/4 x 25" | 16 1/2 x 3/4 x 35" |
| 16 1/2 x 3/4 x 15" | 24 x 3/4 x 25" | 18 x 3/4 x 35" |
| 18 x 3/4 x 15" | 9 x 3/4 x 30" | 21 x 3/4 x 35" |
| 12 x 3/4 x 20" | 11 x 3/4 x 30" | 24 x 3/4 x 35" |
| 13 1/2 x 3/4 x 20" | 12 x 3/4 x 30" | |
| 15 x 3/4 x 20" | 13 1/8 x 3/4 x 30" | 9 x 3/4 x 40" |
| 16 1/2 x 3/4 x 20" | 13 1/2 x 3/4 x 30" | 12 x 3/4 x 40" |
| 18 x 3/4 x 20" | 15 x 3/4 x 30" | 13 1/2 x 3/4 x 40" |
| 21 x 3/4 x 20" | 16 1/2 x 3/4 x 30" | 15 x 3/4 x 40" |
| 24 x 3/4 x 20" | 18 x 3/4 x 30" | 18 x 3/4 x 40" |
| | 21 x 3/4 x 30" | 21 x 3/4 x 40" |
| | 24 x 3/4 x 30" | 24 x 3/4 x 40" |

DRAWER FRONTS (WxDxH)

| | |
|----------------|----------------|
| 12 x 3/4 x 5" | 12 x 3/4 x 15" |
| 15 x 3/4 x 5" | 15 x 3/4 x 15" |
| 18 x 3/4 x 5" | 18 x 3/4 x 15" |
| 21 x 3/4 x 5" | 21 x 3/4 x 15" |
| 24 x 3/4 x 5" | 24 x 3/4 x 15" |
| 27 x 3/4 x 5" | 27 x 3/4 x 15" |
| 30 x 3/4 x 5" | 30 x 3/4 x 15" |
| 33 x 3/4 x 5" | 33 x 3/4 x 15" |
| 36 x 3/4 x 5" | 36 x 3/4 x 15" |
| 12 x 3/4 x 10" | |
| 15 x 3/4 x 10" | |
| 18 x 3/4 x 10" | |
| 21 x 3/4 x 10" | |
| 24 x 3/4 x 10" | |
| 27 x 3/4 x 10" | |
| 30 x 3/4 x 10" | |
| 33 x 3/4 x 10" | |
| 36 x 3/4 x 10" | |

GLASS DOOR FRONTS (WxDxH)

| |
|--------------------|
| 13 1/8 x 3/4 x 30" |
| 13 1/8 x 3/4 x 35" |
| 15 x 3/4 x 30" |
| 15 x 3/4 x 35" |
| 18 x 3/4 x 30" |
| 18 x 3/4 x 35" |

Glass Door Options

- Select size matching glass doors available
- All glass doors include clear tempered glass with matching frames
- Marsala glass doors will have an Amalfi style frame
- Not available with Sassari doors



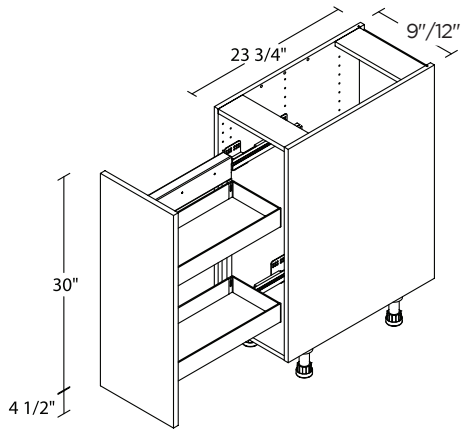
All door styles will require cover panels on the exposed areas of the cabinets, except for Marsala, Amalfi and Rivoli.

CABINETS & ACCESSORIES

Choose from our extensive collection of base, wall, and tall cabinets, plus accessories available in all the shapes and sizes you need.

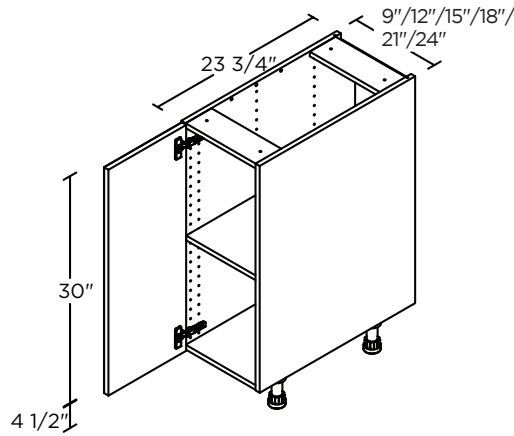
BASE CABINETS

Base cabinets are 34 1/2" high.



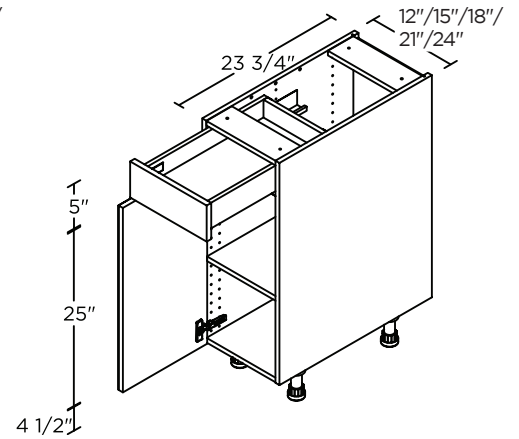
1 DOOR / PULL-OUT SPICE RACK

9" | B9FHPOL 12" | B12FHPOL
9" | B9FHPOR 12" | B12FHPOR



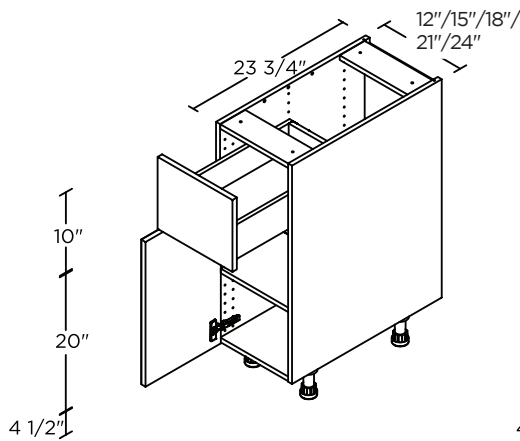
1 DOOR

9" | B9FH(L/R) 18" | B18FH(L/R)
12" | B12FH(L/R) 21" | B21FH(L/R)
15" | B15FH(L/R) 24" | B24FH(L/R)



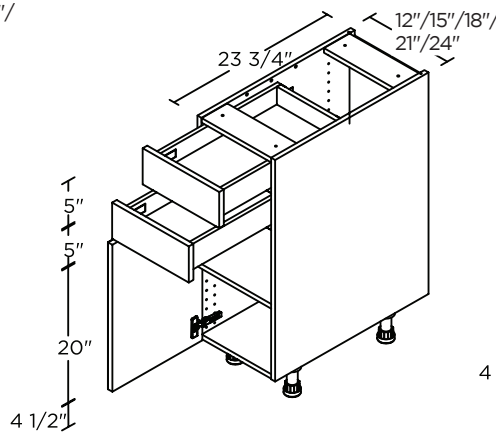
1 DOOR / 1 DRAWER

12" | B12(L/R) 21" | B21(L/R)
15" | B15(L/R) 24" | B24(L/R)
18" | B18(L/R)



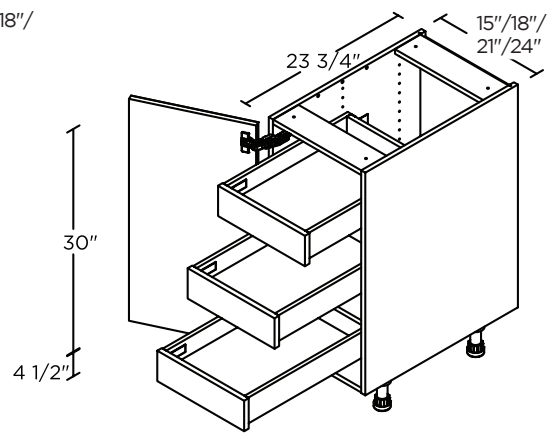
1 DOOR / 1 DRAWER

12" | B12A(L/R) 21" | B21A(L/R)
15" | B15A(L/R) 24" | B24A(L/R)
18" | B18A(L/R)



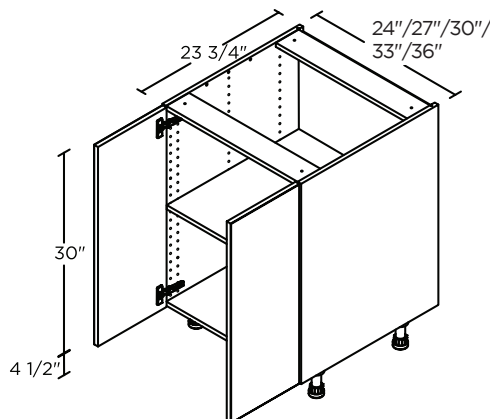
1 DOOR / 2 DRAWERS

12" | B12B(L/R) 21" | B21B(L/R)
15" | B15B(L/R) 24" | B24B(L/R)
18" | B18B(L/R)



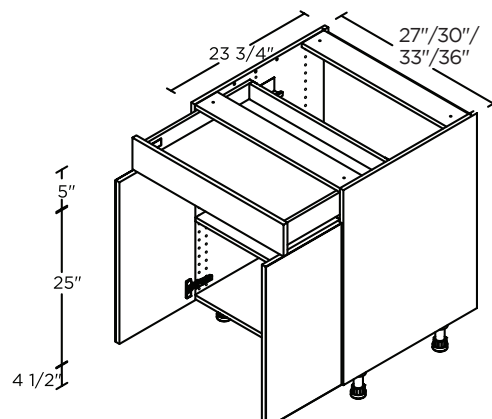
1 DOOR / 3 INNER DRAWERS

15" | B15FHI3(L/R) 21" | B21FHI3(L/R)
18" | B18FHI3(L/R) 24" | B24FHI3(L/R)



2 DOORS

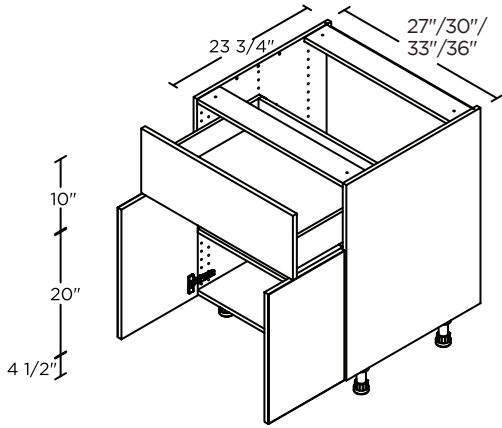
24" | B24-2FH
27" | B27FH
30" | B30FH
33" | B33FH
36" | B36FH



2 DOORS / 1 DRAWER

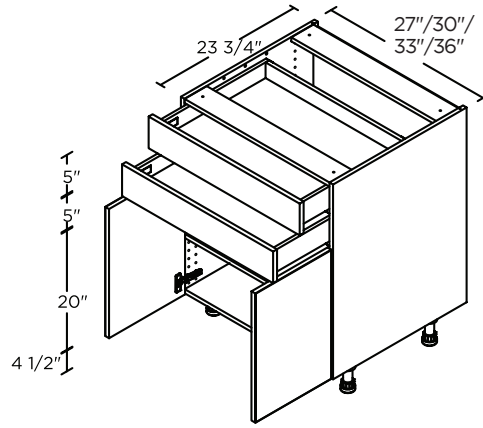
27" | B27
30" | B30
33" | B33
36" | B36

BASE CABINETS



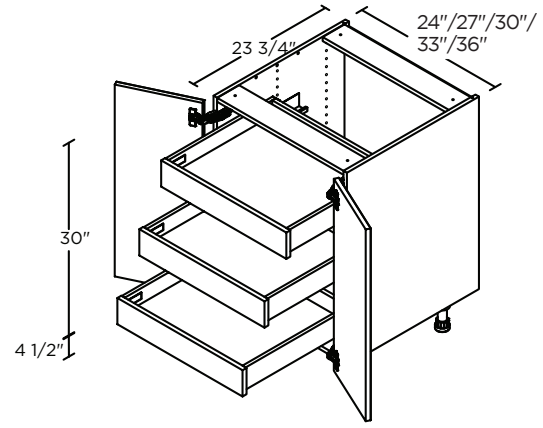
2 DOORS / 1 DRAWER

27" | B27A 33" | B33A
30" | B30A 36" | B36A



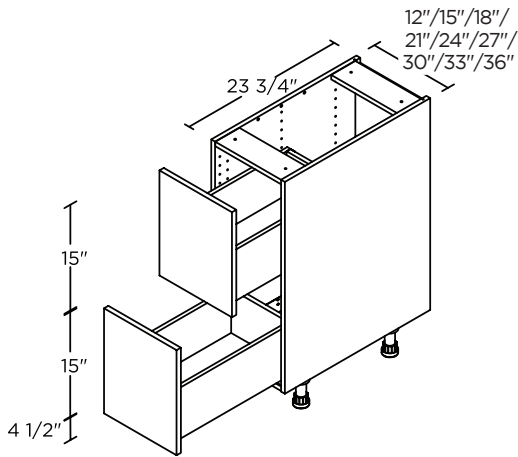
2 DOORS / 2 DRAWERS

27" | B27B 33" | B33B
30" | B30B 36" | B36B



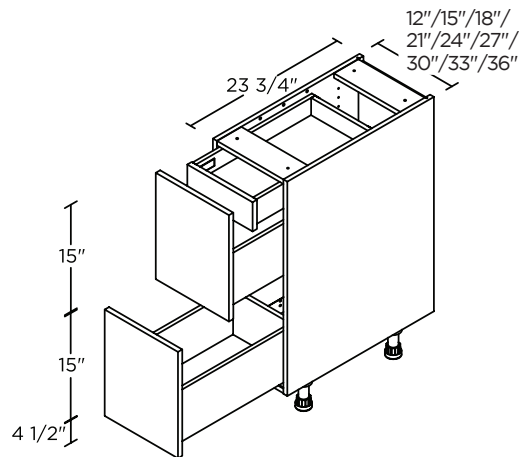
2 DOORS / 3 INNER DRAWERS

24" | B24-2FH13 33" | B33FH13
27" | B27FH13 36" | B36FH13
30" | B30FH13



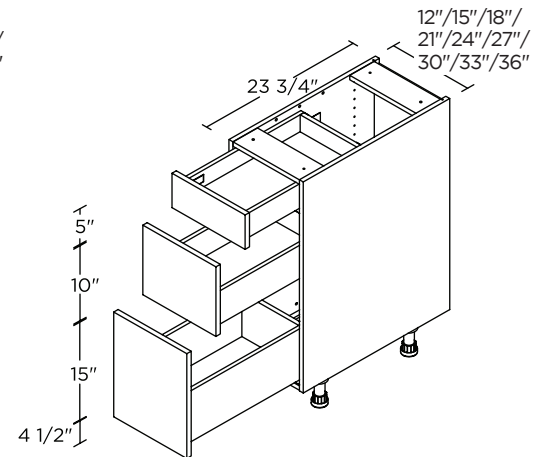
2 DRAWERS

12" | B2D12 27" | B2D27
15" | B2D15 30" | B2D30
18" | B2D18 33" | B2D33
21" | B2D21 36" | B2D36
24" | B2D24



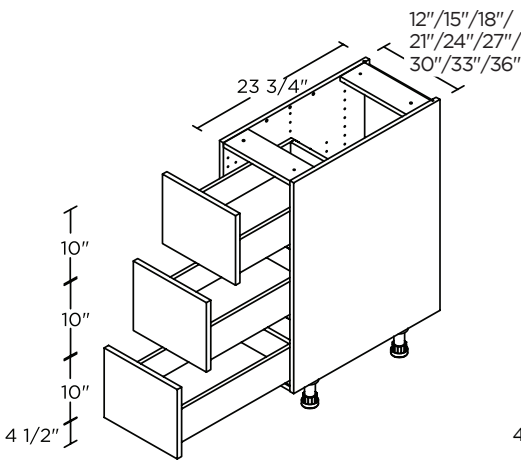
2 DRAWERS / 1 INNER DRAWER

12" | B2D121 27" | B2D2711
15" | B2D1511 30" | B2D3011
18" | B2D1811 33" | B2D3311
21" | B2D2111 36" | B2D3611
24" | B2D2411



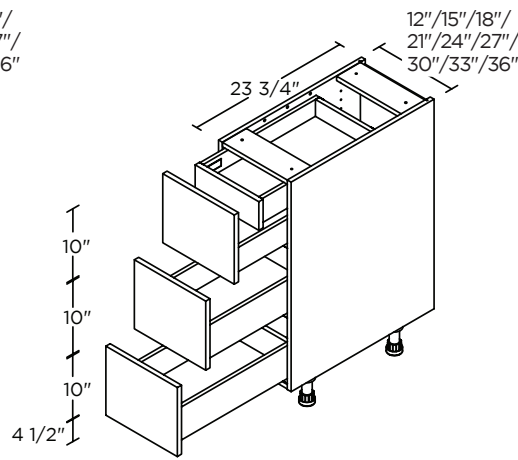
3 DRAWERS

12" | B3D12 27" | B3D27
15" | B3D15 30" | B3D30
18" | B3D18 33" | B3D33
21" | B3D21 36" | B3D36
24" | B3D24



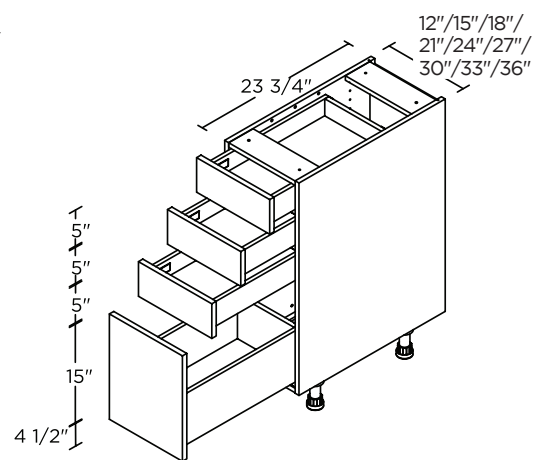
3 DRAWERS

12" | B3DA12 27" | B3DA27
15" | B3DA15 30" | B3DA30
18" | B3DA18 33" | B3DA33
21" | B3DA21 36" | B3DA36
24" | B3DA24



3 DRAWERS / 1 INNER DRAWER

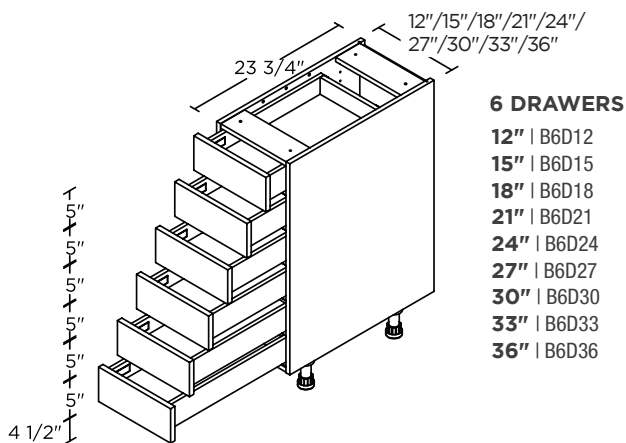
12" | B3DA1211 27" | B3DA2711
15" | B3DA1511 30" | B3DA3011
18" | B3DA1811 33" | B3DA3311
21" | B3DA2111 36" | B3DA3611
24" | B3DA2411



4 DRAWERS

12" | B4D12 27" | B4D27
15" | B4D15 30" | B4D30
18" | B4D18 33" | B4D33
21" | B4D21 36" | B4D36
24" | B4D24

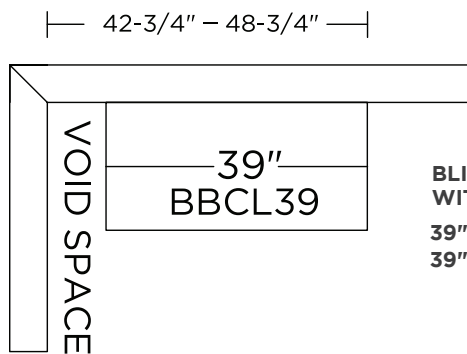
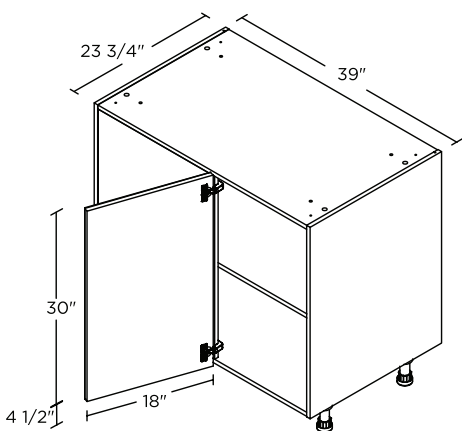
BASE CABINETS



6 DRAWERS

- 12" | B6D12
- 15" | B6D15
- 18" | B6D18
- 21" | B6D21
- 24" | B6D24
- 27" | B6D27
- 30" | B6D30
- 33" | B6D33
- 36" | B6D36

CORNER BASE CABINETS



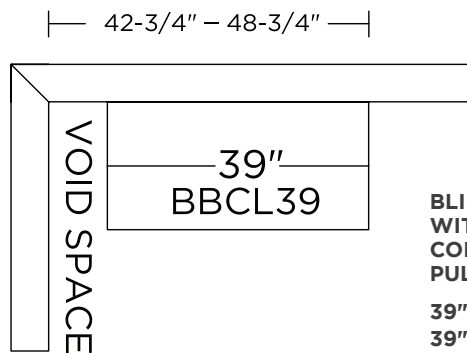
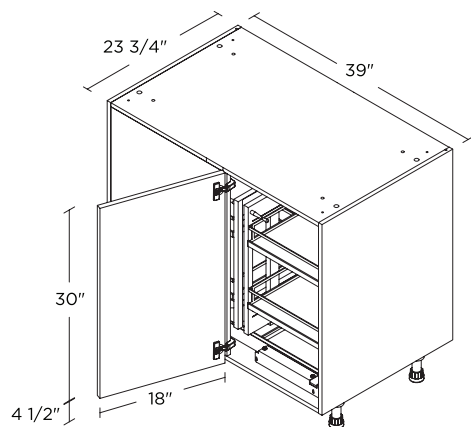
BLIND CORNER WITH SHELF

- 39" | BBCL39
- 39" | BBCR39



Min. 42 3/4" doesn't allow for filler / hardware clearance.

Max. 48 3/4" is with a 6" filler attached to be flush with door - filler not included.



BLIND CORNER WITH MAGIC CORNER PULL-OUT

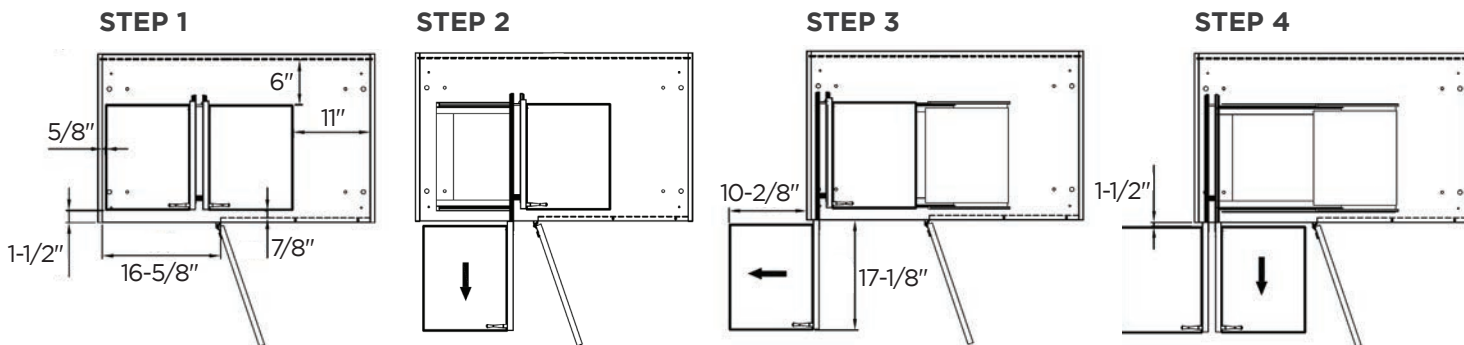
- 39" | BBCL39MC
- 39" | BBCR39MC



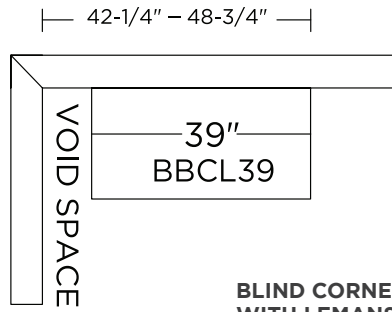
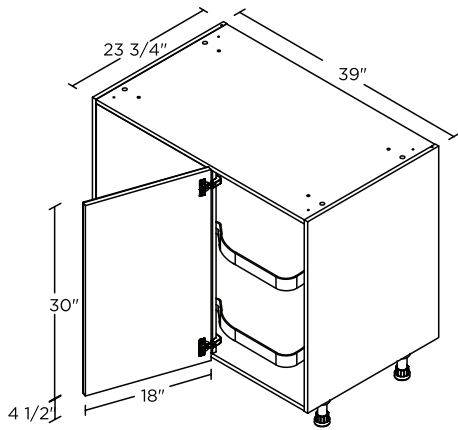
Min. 42 3/4" doesn't allow for filler / hardware clearance.

Max. 48 3/4" is with a 6" filler attached to be flush with door - filler not included.

For Magic Corner Pull-Out: left-opening shown below.



BASE CABINETS

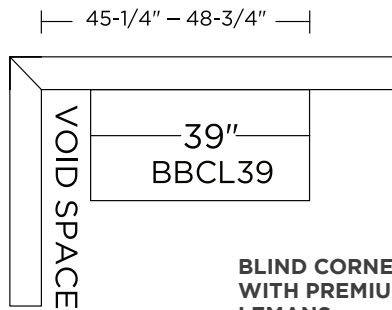
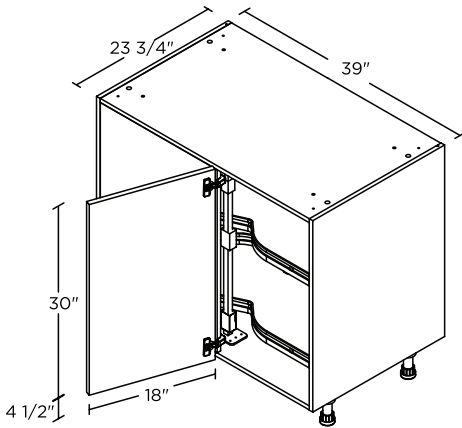


BLIND CORNER WITH LEMANS PULL-OUT
 39" | BBCL39LC
 39" | BBCR39LC



Min. 42 3/4" doesn't allow for filler / hardware clearance.

Max. 48 3/4" is with a 6" filler attached to be flush with door - filler not included.



BLIND CORNER WITH PREMIUM LEMANS PULL-OUT
 39" | BBCL39LCP
 39" | BBCR39LCP

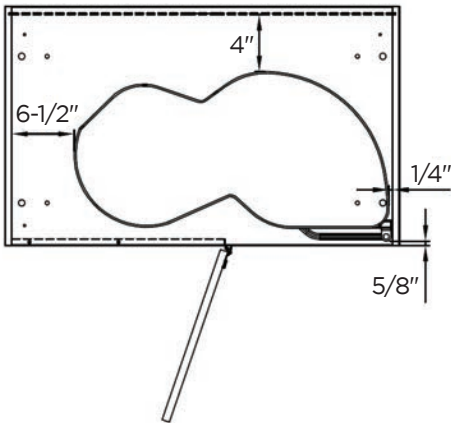


Min. 45 3/4" doesn't allow for filler / hardware clearance.

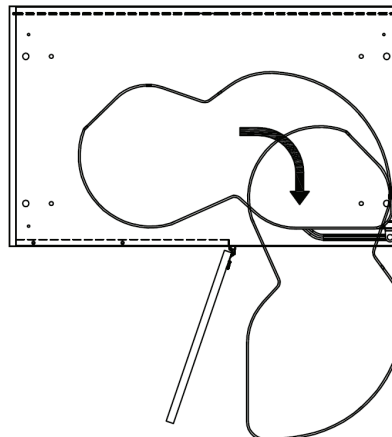
Max. 48 3/4" is with a 6" filler attached to be flush with door - filler not included.

For Premium Lemans Pull-Outs: left-opening shown below.

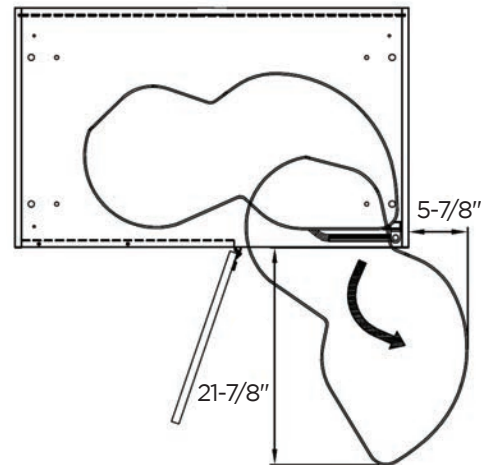
STEP 1: cabinet door opens.



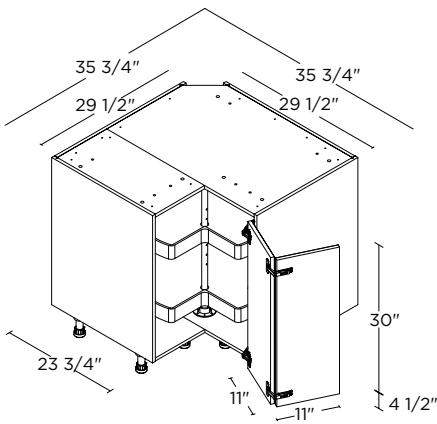
STEP 2: top or bottom tray swings out.



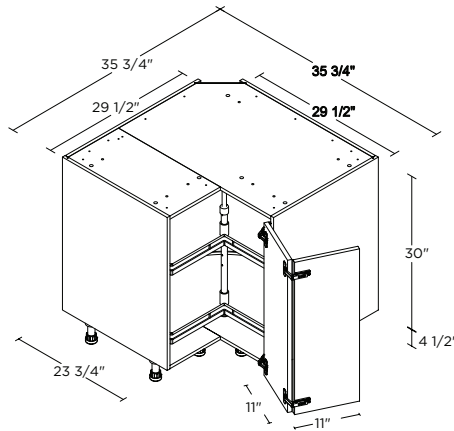
STEP 3: then swings completely out of the cabinet.



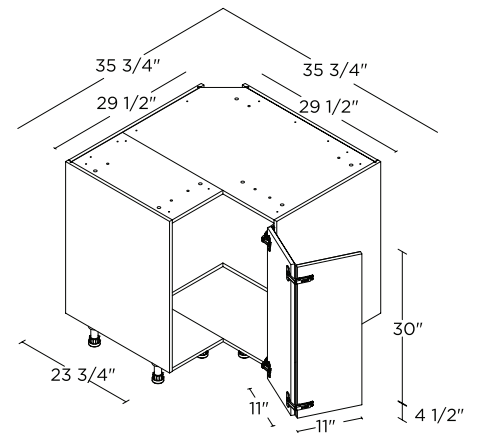
BASE CABINETS



CORNER WITH LAZY SUSAN
36" | BC36LS(L/R)



CORNER WITH PREMIUM LAZY SUSAN
36" | BC36LSP(L/R)

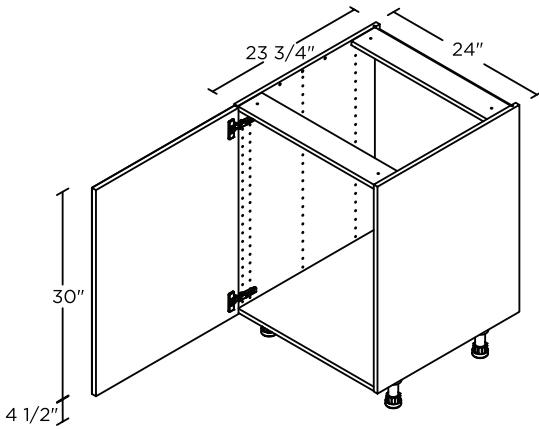


CORNER WITH SHELF
36" | BC36(L/R)

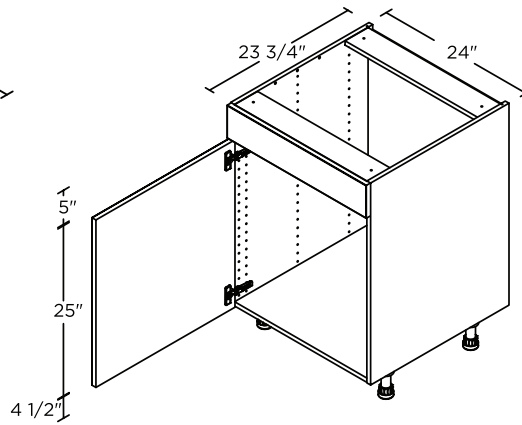


Lazy Susan and Premium Lazy Susan rod height adjustments:
Minimum: 23 5/8"
Maximum: 28 3/4"

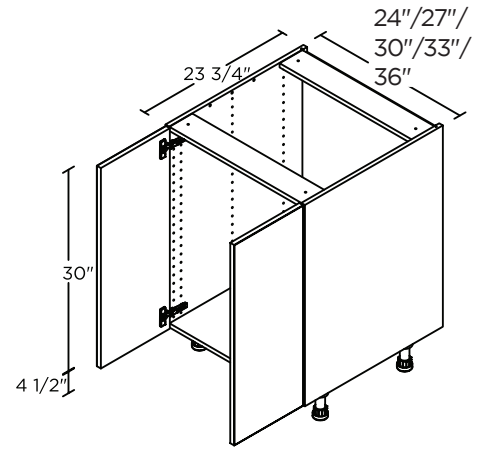
SINK BASE CABINETS



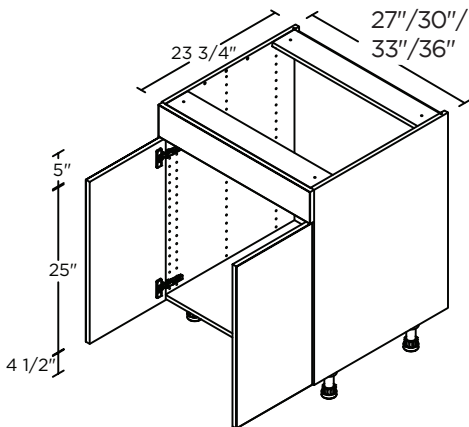
1 DOOR
24" | SB24FH(L/R)



1 DOOR / 1 FIXED FRONT
24" | SB24FF(L/R)

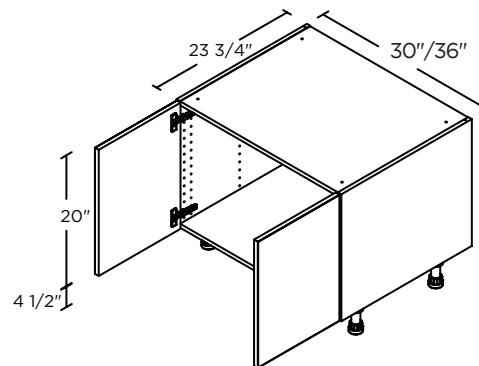


2 DOORS
24" | SB24-2FH 33" | SB33FH
27" | SB27FH 36" | SB36FH
30" | SB30FH



2 DOORS / 1 FIXED FRONT
27" | SB27FF 33" | SB33FF
30" | SB30FF 36" | SB36FF

FARM SINK BASE CABINETS



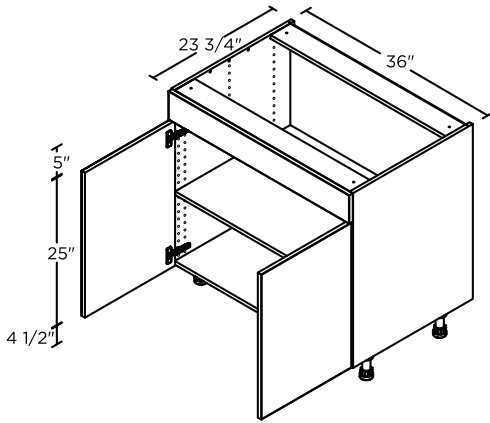
2 DOORS
30" | SBAS30
36" | SBAS36



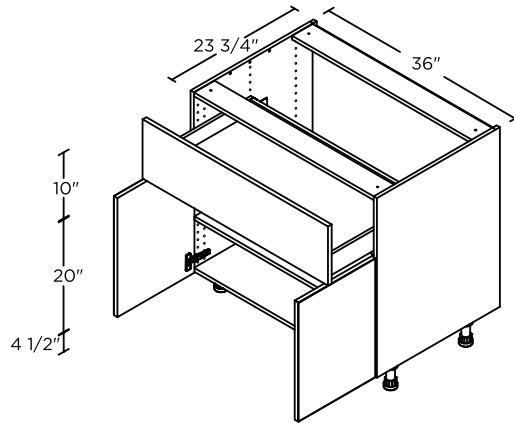
A separate drawer front must be ordered to complete.

BASE CABINETS

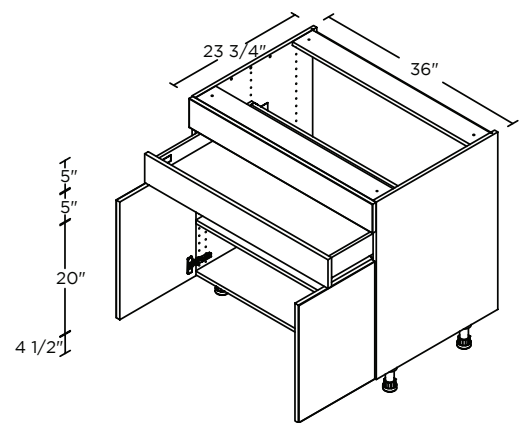
COOKTOP CABINETS



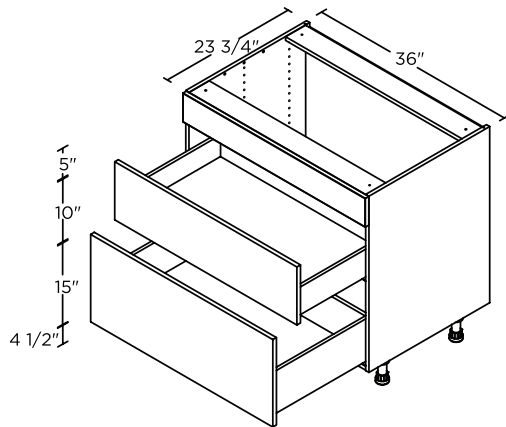
2 DOORS / 1 FIXED FRONT
36" | BCT36FF



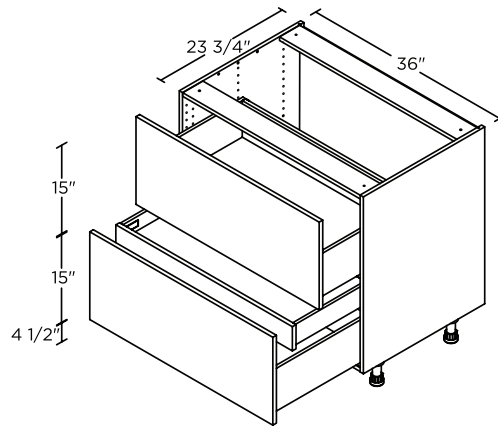
2 DOORS / 1 DRAWER
36" | BCT36A



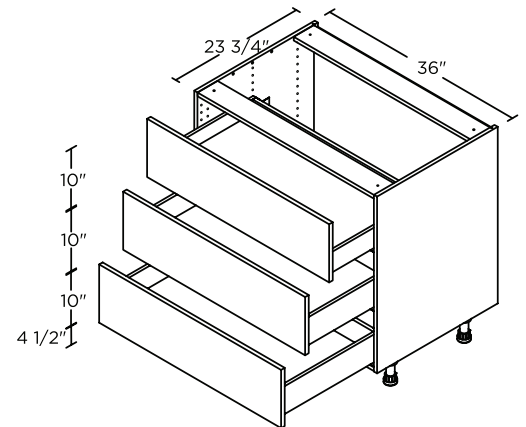
2 DOORS / 1 DRAWER / 1 FIXED FRONT
36" | BCT36BFF



2 DRAWERS / 1 FIXED FRONT
36" | BCT3D36FF

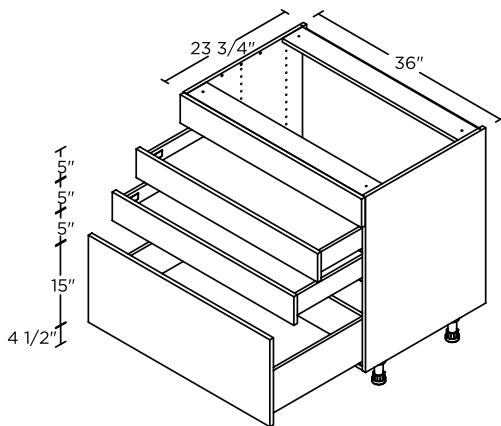


2 DRAWERS / 1 INNER DRAWER
36" | BCT2D36I1

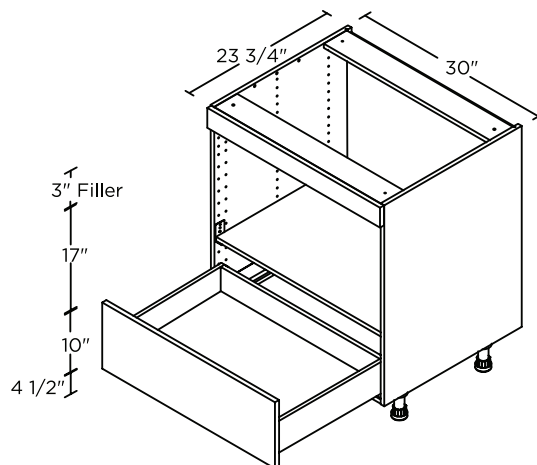


3 DRAWERS
36" | BCT3D36A

MICROWAVE CABINET



3 DRAWERS / 1 FIXED FRONT
36" | BCT4D36FF



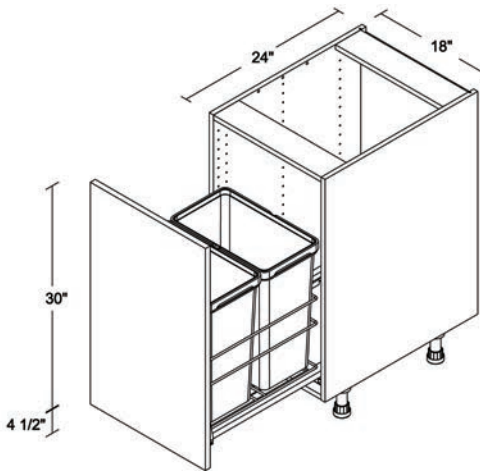
1 DRAWER
30" | BMW30



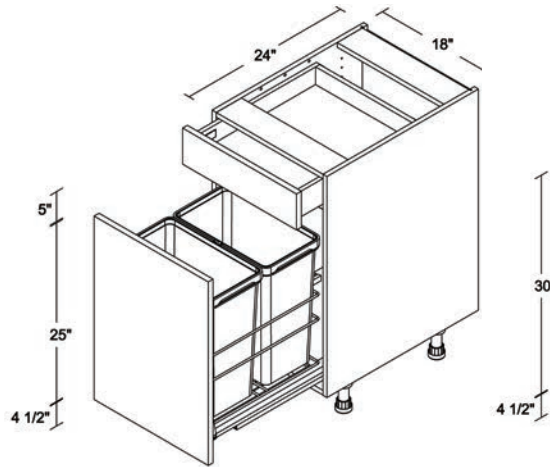
Cut-out size:
28 1/2" wide x 17" high.
Filler can be cut to
adjust height opening
17" to 20".

BASE CABINETS

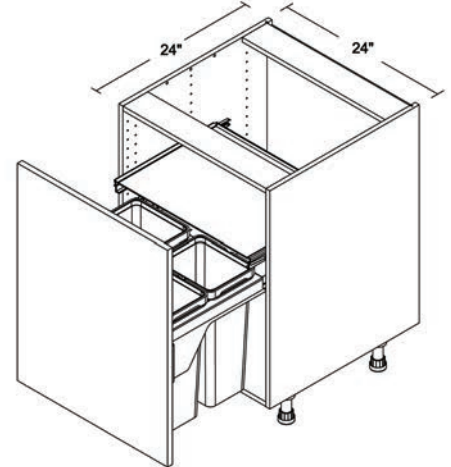
WASTE/RECYCLING CABINETS



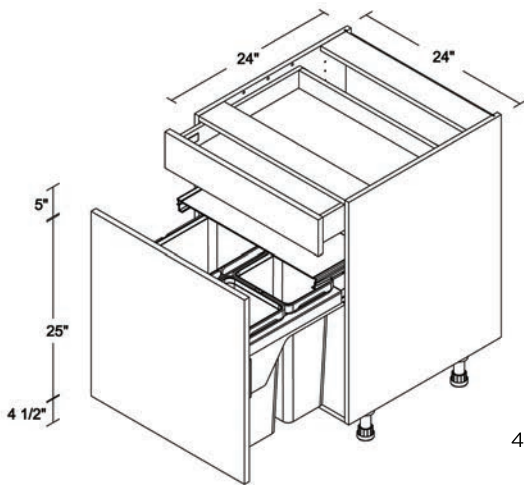
FULL HEIGHT DOOR
18" | B18FHSWB Comes with 2 bins



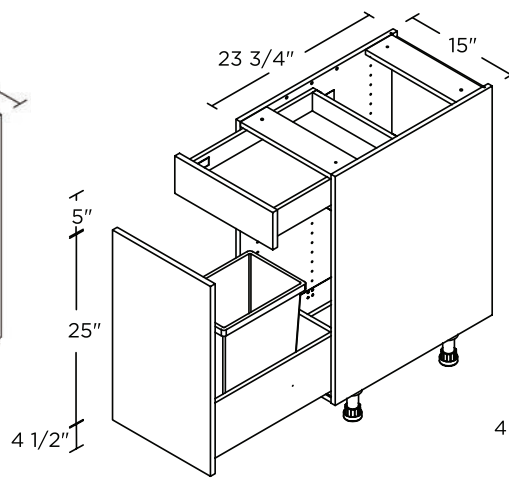
PULL-OUT / 1 DRAWER
18" | B18SWB Comes with 2 bins



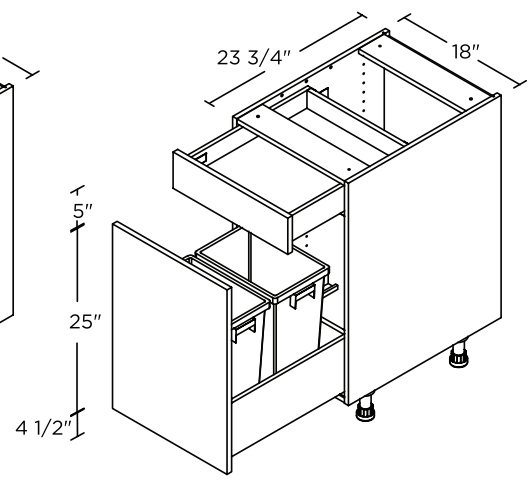
FULL HEIGHT DOOR
24" | B24FHSWB Comes with 3 bins



PULL-OUT / 1 DRAWER
24" | B24SWB Comes with 3 bins

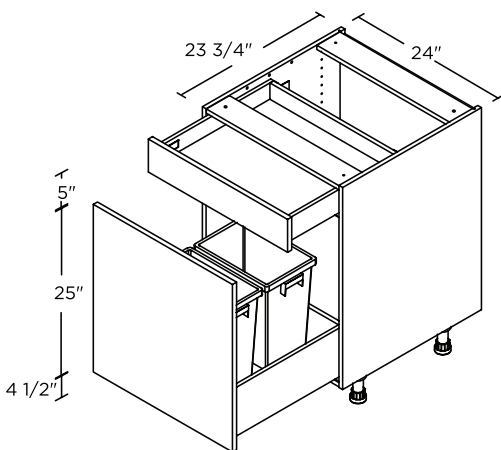


PULL-OUT / 1 DRAWER
15" | BP015 Comes with 1 bin

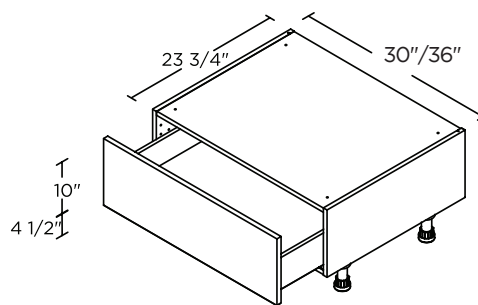


PULL-OUT / 1 DRAWER
18" | BP018 Comes with 2 bins

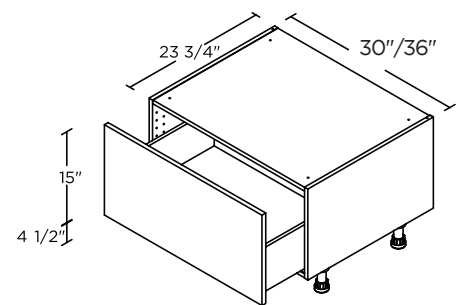
BASE WINDOW SEAT / BANQUETTE CABINETS



PULL-OUT / 1 DRAWER
24" | BP024 Comes with 2 bins



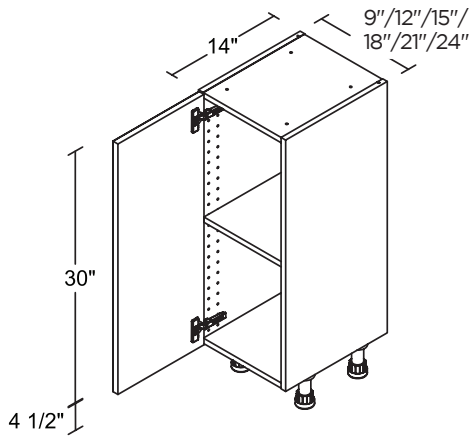
1 DRAWER
30" | BWS3010
36" | BWS3610



1 DRAWER
30" | BWS3015
36" | BWS3615

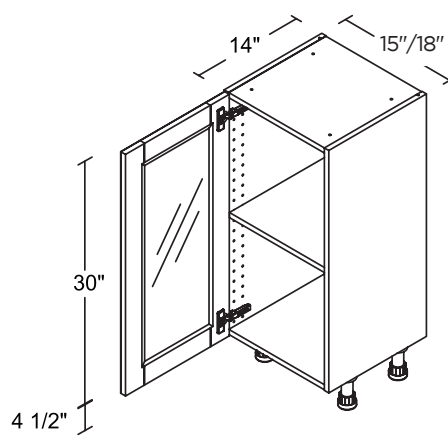
BASE CABINETS

SHALLOW BASE CABINETS



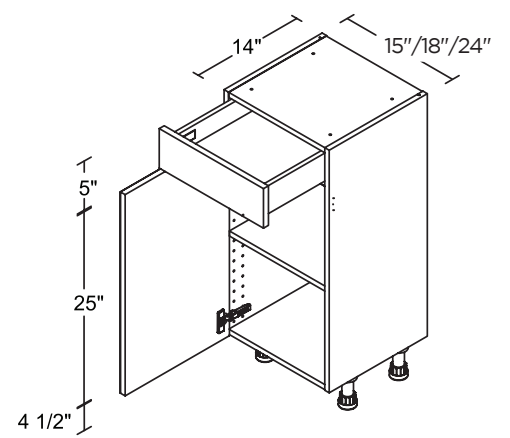
1 DOOR

9" | B914FH(L/R) 18" | B1814FH(L/R)
 12" | B1214FH(L/R) 21" | B2114FH(L/R)
 15" | B1514FH(L/R) 24" | B2414FH(L/R)



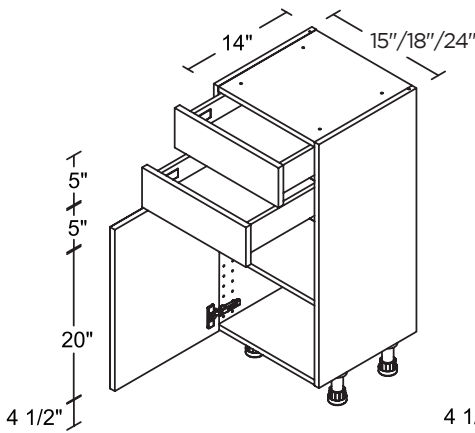
1 GLASS DOOR*

15" | BG1514FH(L/R)
 18" | BG1814FH(L/R)



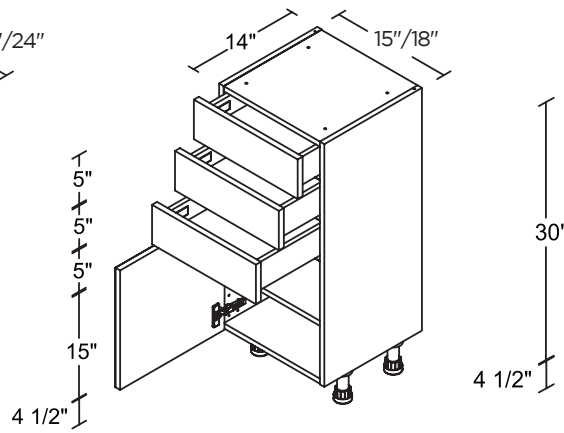
1 DOOR / 1 DRAWER

15" | B1514(L/R)
 18" | B1814(L/R)
 24" | B2414(L/R)



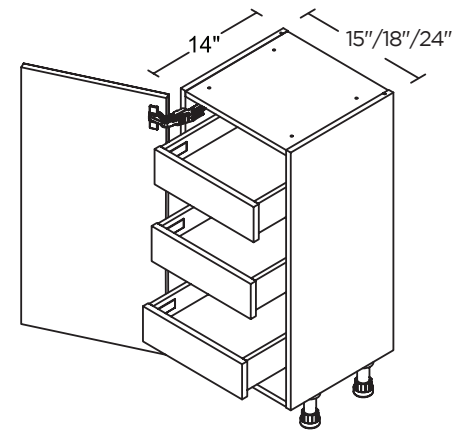
1 DOOR / 2 DRAWERS

15" | B1514B(L/R)
 18" | B1814B(L/R)
 24" | B2414B(L/R)



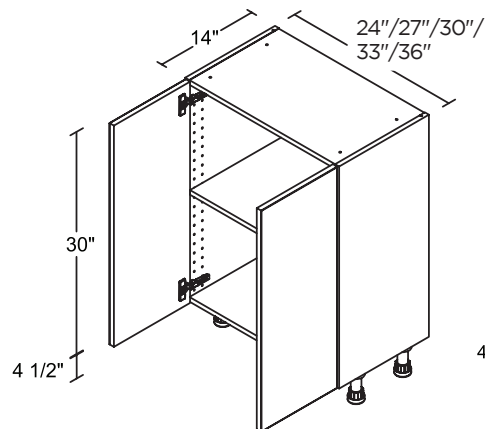
1 DOOR / 3 DRAWERS

15" | B1514C(L/R)
 18" | B1814C(L/R)



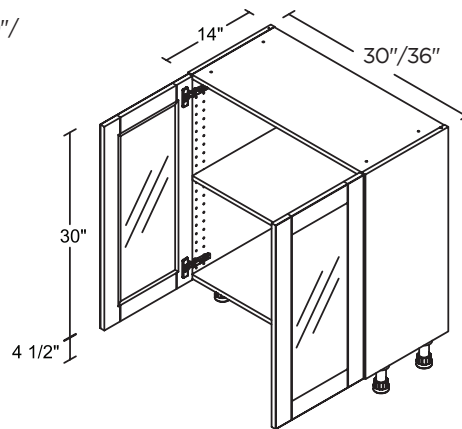
1 DOOR / 3 INNER DRAWERS

15" | B1514FHI3(L/R)
 18" | B1814FHI3(L/R)
 24" | B2414FHI3(L/R)



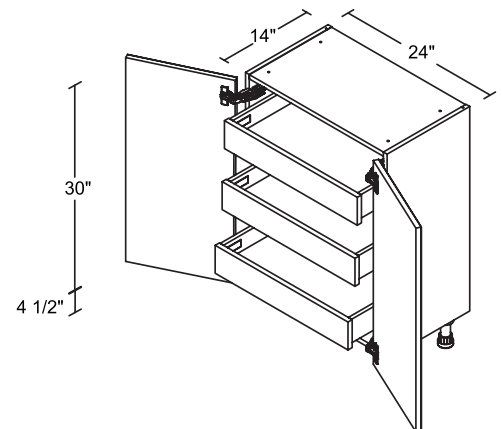
2 DOORS

24" | B2414-2FH 33" | B3314FH
 27" | B2714FH 36" | B3614FH
 30" | B3014FH



2 GLASS DOORS*

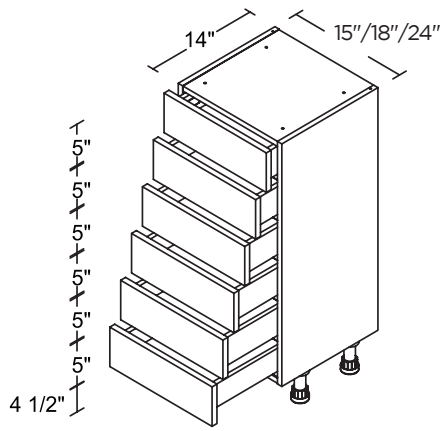
30" | BG3014FH
 36" | BG3614FH



2 DOORS / 3 INNER DRAWERS

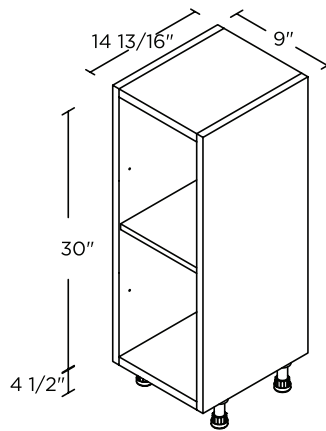
24" | B2414-2FHI3

BASE CABINETS



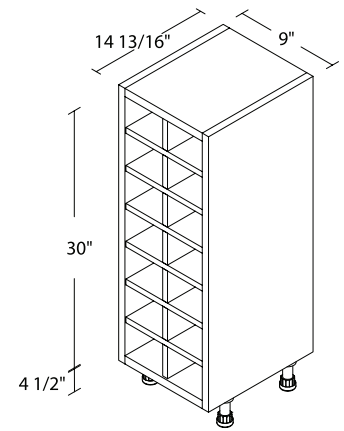
6 DRAWERS

15" | B6D1514 24" | B6D2414
18" | B6D1814



BASE OPEN SHELF

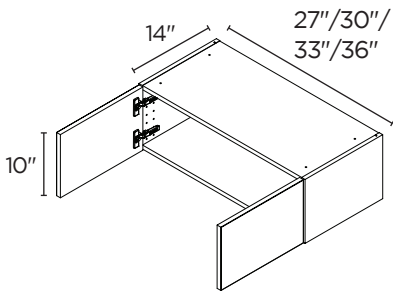
9" | BOS930



BASE WINE RACK

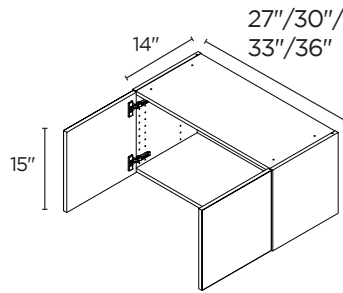
9" | BWC930

WALL CABINETS



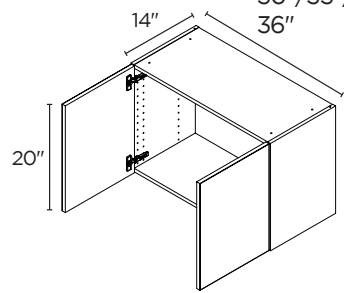
10" HIGH / 2 DOORS

27" | W2710 33" | W3310
30" | W3010 36" | W3610



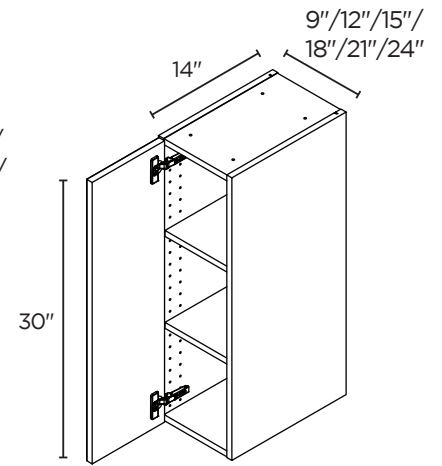
15" HIGH / 2 DOORS

27" | W2715 33" | W3315
30" | W3015 36" | W3615



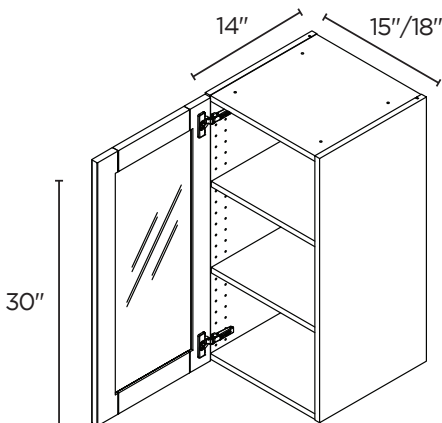
20" HIGH / 2 DOORS

24" | W2420-2 33" | W3320
27" | W2720 36" | W3620
30" | W3020



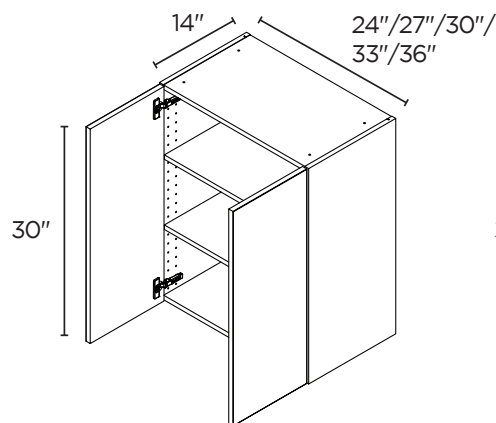
30" HIGH / 1 DOOR

9" | W930(L/R) 18" | W1830(L/R)
12" | W1230(L/R) 21" | W2130(L/R)
15" | W1530(L/R) 24" | W2430(L/R)



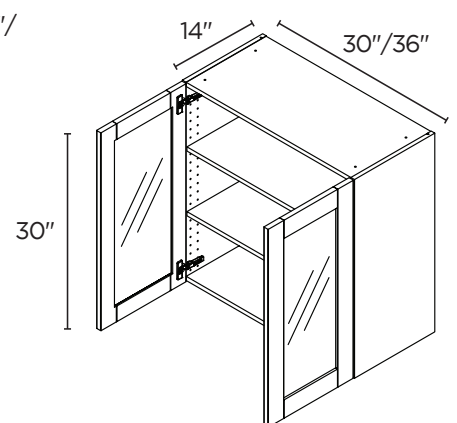
30" HIGH / 1 GLASS DOOR*

15" | WG1530(L/R)
18" | WG1830(L/R)



30" HIGH / 2 DOORS

24" | W2430-2 33" | W3330
27" | W2730 36" | W3630
30" | W3030

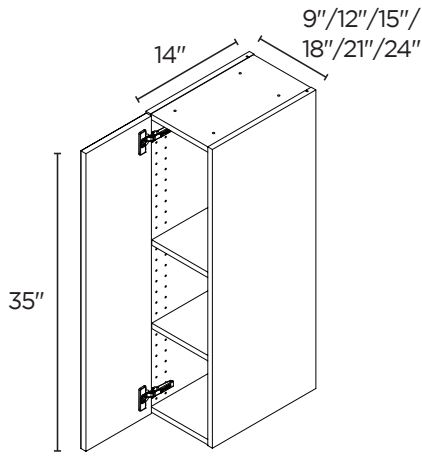


30" HIGH / 2 GLASS DOORS*

30" | WG3030
36" | WG3630

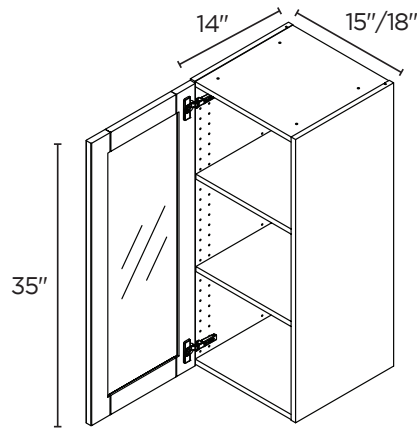
*Glass shelves can be purchased separately.

WALL CABINETS



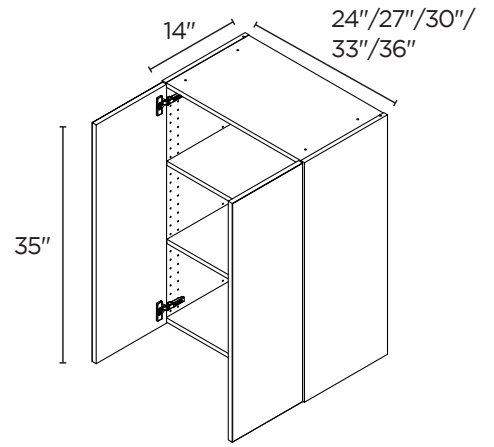
35" HIGH / 1 DOOR

9" | W935(L/R) 18" | W1835(L/R)
 12" | W1235(L/R) 21" | W2135(L/R)
 15" | W1535(L/R) 24" | W2435(L/R)



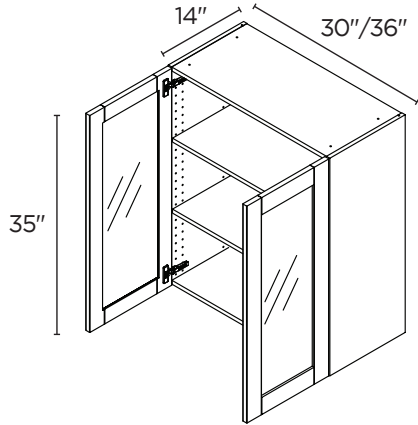
35" HIGH / 1 GLASS DOOR*

15" | WG1535(L/R)
 18" | WG1835(L/R)



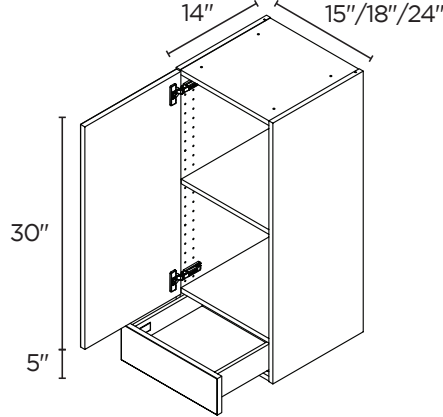
35" HIGH / 2 DOORS

24" | W2435-2 33" | W3335
 27" | W2735 36" | W3635
 30" | W3035



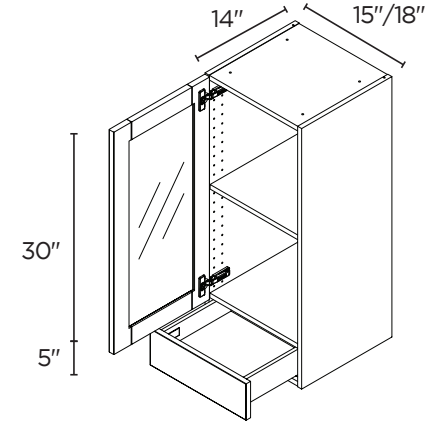
35" HIGH / 2 GLASS DOORS*

30" | WG3035
 36" | WG3635



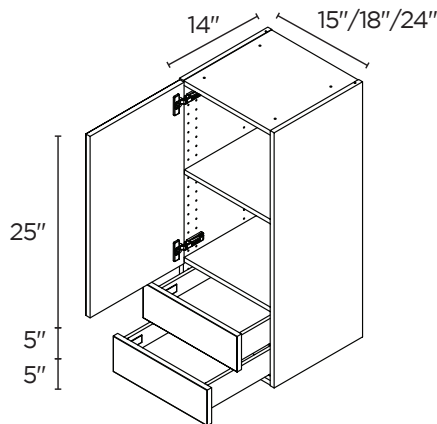
35" HIGH / 1 DOOR / 1 DRAWER

15" | W1535A(L/R)
 18" | W1835A(L/R)
 24" | W2435A(L/R)



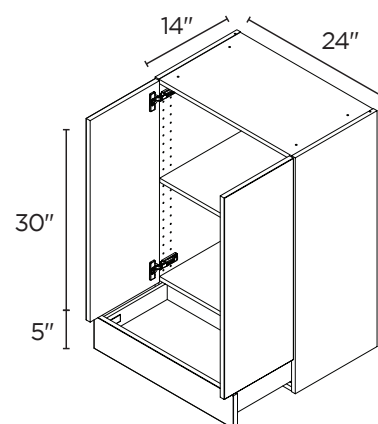
35" HIGH / 1 GLASS DOOR* / 1 DRAWER

15" | WG1535A(L/R)
 18" | WG1835A(L/R)



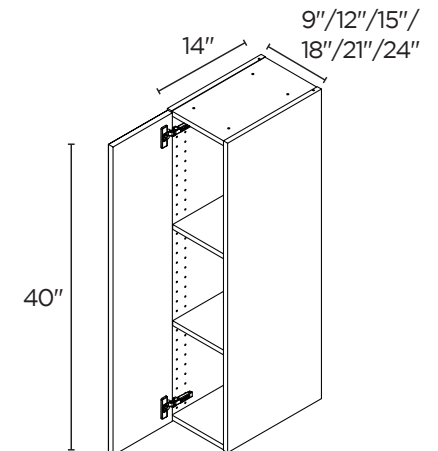
35" HIGH / 1 DOOR / 2 DRAWERS

15" | W1535B(L/R)
 18" | W1835B(L/R)
 24" | W2435B(L/R)



35" HIGH / 2 DOORS / 1 DRAWER

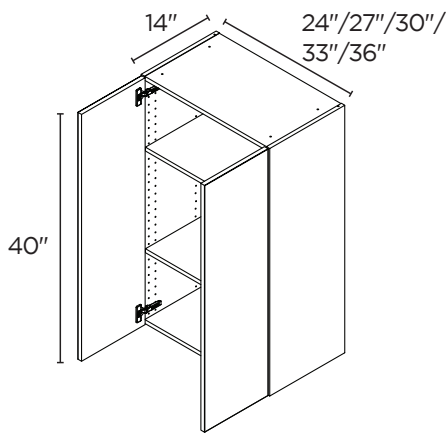
24" | W2435-2A



40" HIGH / 1 DOOR

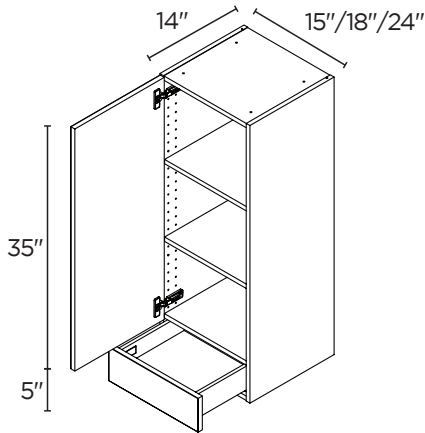
9" | W940(L/R) 18" | W1840(L/R)
 12" | W1240(L/R) 21" | W2140(L/R)
 15" | W1540(L/R) 24" | W2440(L/R)

WALL CABINETS



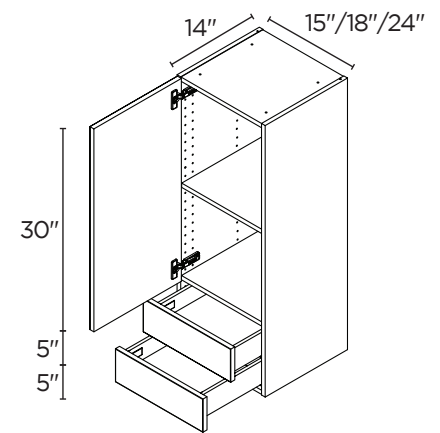
40" HIGH / 2 DOORS

24" | W2440-2 33" | W3340
 27" | W2740 36" | W3640
 30" | W3040



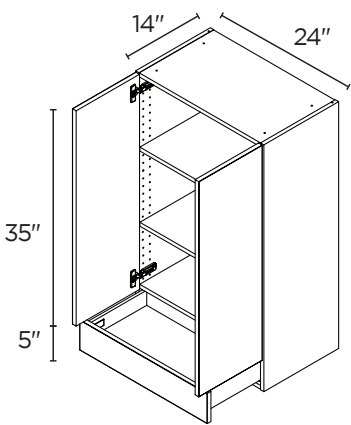
40" HIGH / 1 DOOR / 1 DRAWER

15" | W1540A(L/R)
 18" | W1840A(L/R)
 24" | W2440A(L/R)



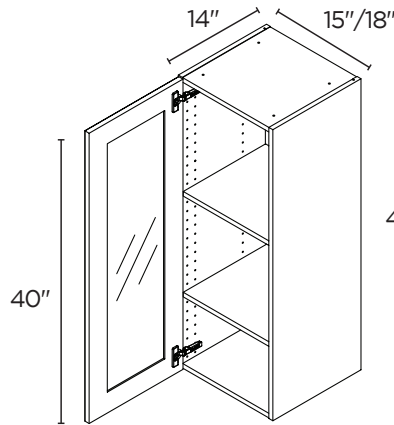
40" HIGH / 1 DOOR / 2 DRAWERS

15" | W1540B(L/R)
 18" | W1840B(L/R)
 24" | W2440B(L/R)



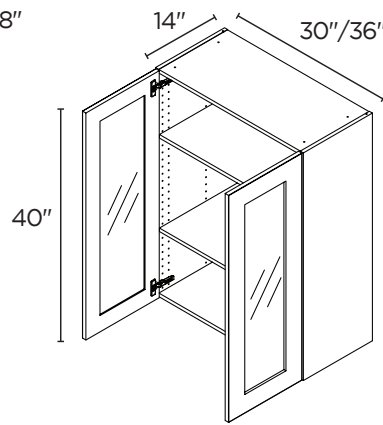
40" HIGH / 2 DOORS / 1 DRAWER

24" | W2440-2A



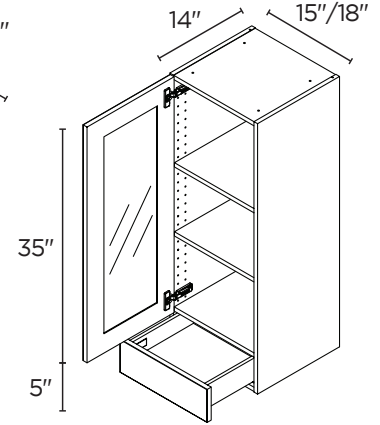
40" HIGH / 1 GLASS DOOR*

15" | WG1540(L/R)
 18" | WG1840(L/R)



40" HIGH / 2 GLASS DOORS*

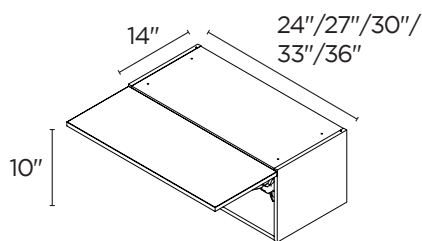
30" | WG3040
 36" | WG3640



40" HIGH / 1 GLASS DOOR* / 1 DRAWER

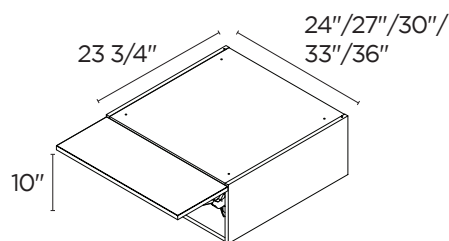
15" | WG1540A(L/R)
 18" | WG1840A(L/R)

LIFT-UP WALL CABINETS



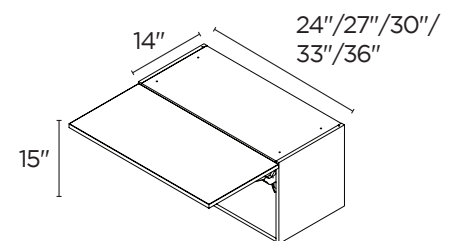
10" HIGH / 1 LIFT-UP DOOR

24" | WLU2410 33" | WLU3310
 27" | WLU2710 36" | WLU3610
 30" | WLU3010



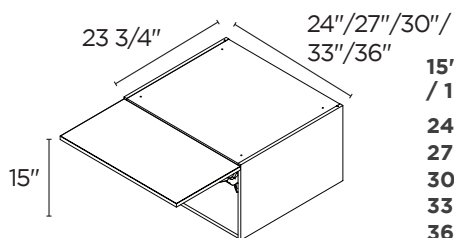
10" HIGH / 1 LIFT-UP DOOR

24" | WLU241024 33" | WLU331024
 27" | WLU271024 36" | WLU361024
 30" | WLU301024



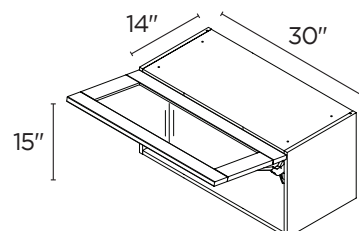
15" HIGH / 1 LIFT-UP DOOR

24" | WLU2415 33" | WLU3315
 27" | WLU2715 36" | WLU3615
 30" | WLU3015



15" HIGH / 1 LIFT-UP DOOR

24" | WLU241524
 27" | WLU271524
 30" | WLU301524
 33" | WLU331524
 36" | WLU361524



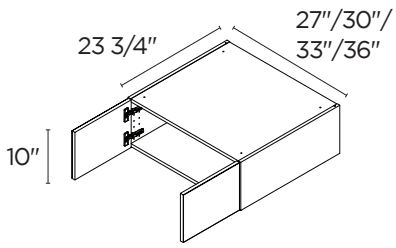
15" HIGH / 1 GLASS LIFT-UP DOOR*

30" | WLUG3015

*Glass shelves can be purchased separately.

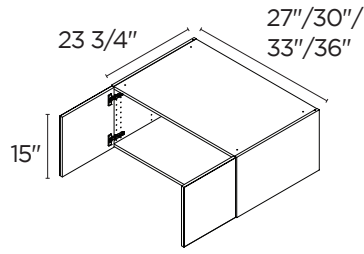
WALL CABINETS

DEEP WALL CABINETS



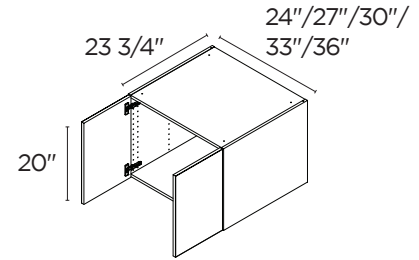
10" HIGH / 2 DOORS

27" | W271024 **33"** | W331024
30" | W301024 **36"** | W361024



15" HIGH / 2 DOORS

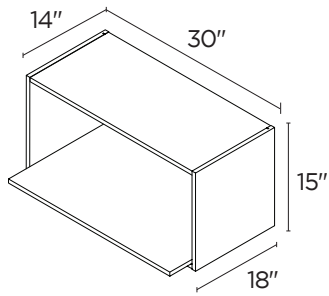
27" | W271524 **33"** | W331524
30" | W301524 **36"** | W361524



20" HIGH / 2 DOORS

24" | W242024-2 **33"** | W332024
27" | W272024 **36"** | W362024
30" | W302024

WALL MICROWAVE SHELF CABINET

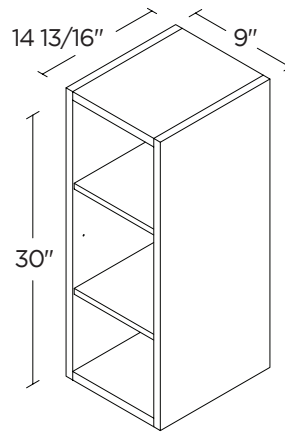


15" HIGH
30" | WMS3015



The cabinet's interior is finished and its shelf is removable.

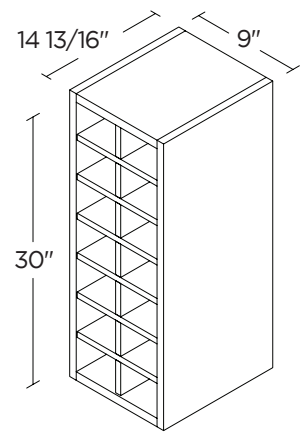
SPECIALTY WALL CABINETS



WALL OPEN SHELF
9" | WOS930

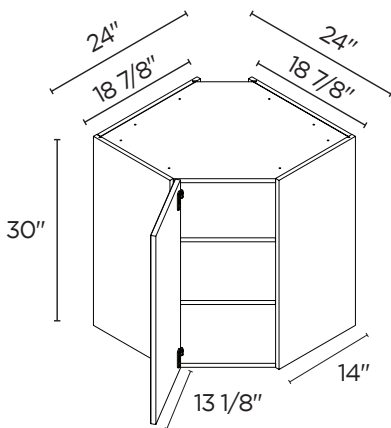


Open shelf and wine rack wall cabinets can have a vertical or horizontal installation.

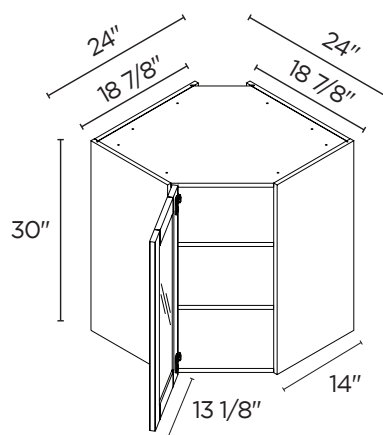


WALL WINE RACK
9" | WWC930

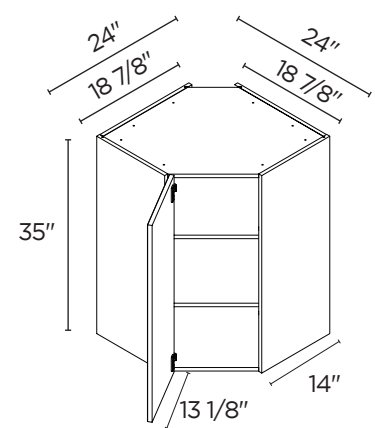
CORNER WALL CABINETS



30" HIGH / 1 DOOR
24" | WA2430(L/R)



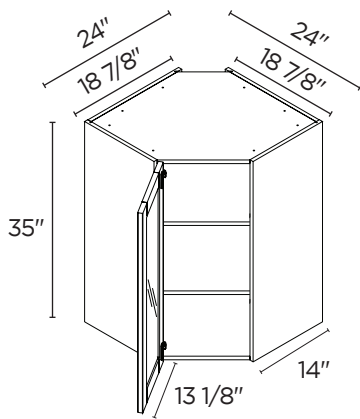
30" HIGH / 1 GLASS DOOR*
24" | WAG2430(L/R)



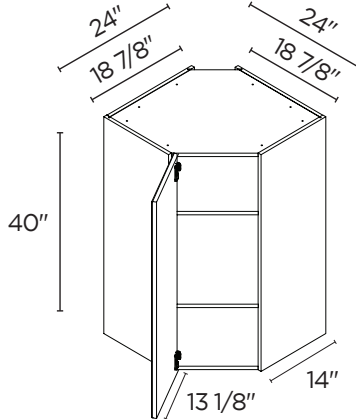
35" HIGH / 1 DOOR
24" | WA2435(L/R)

*Glass shelves can be purchased separately.

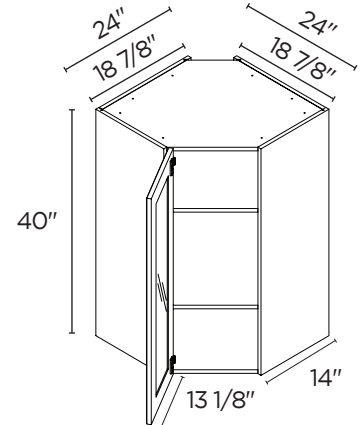
WALL CABINETS



35" HIGH / 1 GLASS DOOR*
24" | WAG2435(L/R)

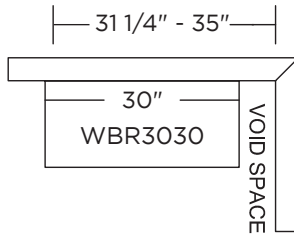
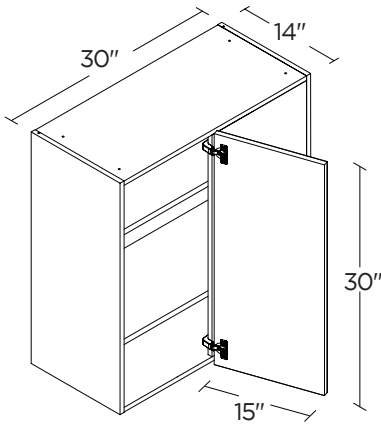


40" HIGH / 1 DOOR
24" | WA2440(L/R)

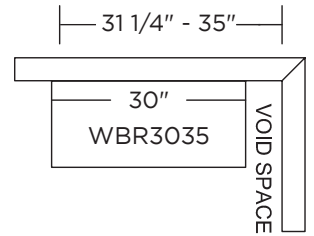
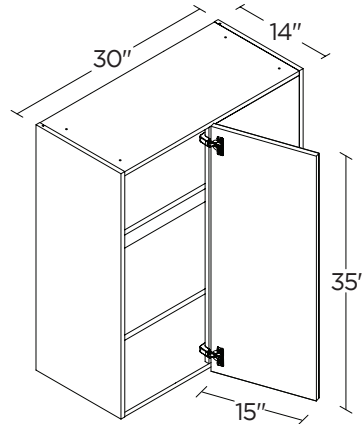


40" HIGH / 1 GLASS DOOR*
24" | WAG2440(L/R)

BLIND CORNER WALL CABINETS



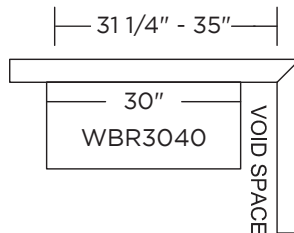
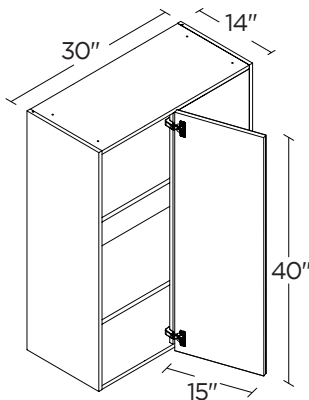
30" HIGH / 1 DOOR
30" | WBL3030
30" | WBR3030



35" HIGH / 1 DOOR
35" | WBL3035
35" | WBR3035



Max. 35" is with 6" filler attached to be flush with the door - the filler is not included. The panel next to the door is white for all collections. A filler is required. Right-hand shown in illustrations.



40" HIGH / 1 DOOR
40" | WBL3040
40" | WBR3040

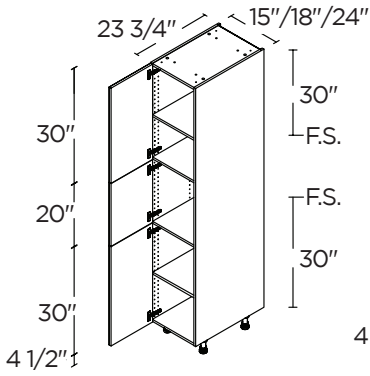


Max. 35" is with 6" filler attached to be flush with the door - the filler is not included.

The panel next to the door is white for all collections. A filler is required. Right-hand shown in illustrations.

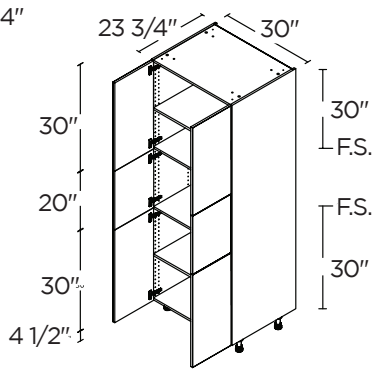
*Glass shelves can be purchased separately.

84 1/2" H TALL CABINETS



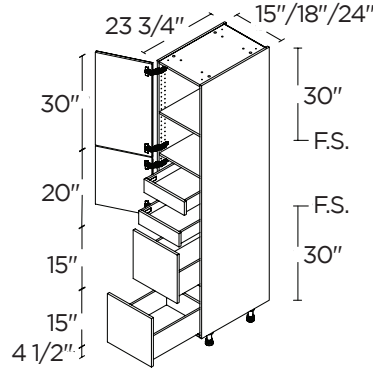
3 DOORS

15" | T152484.5(L/R)
 18" | T182484.5(L/R)
 24" | T242484.5(L/R)



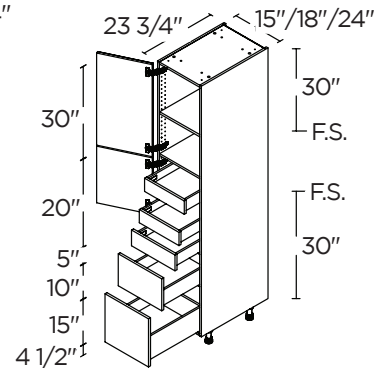
6 DOORS

30" | T302484.5



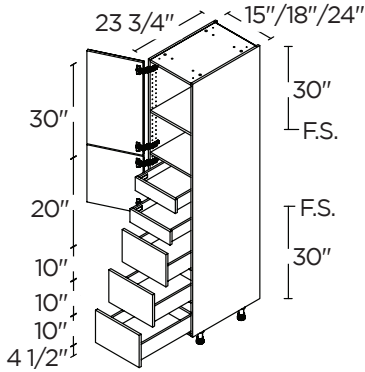
**2 DOORS / 2 DRAWERS
 2 INNER DRAWERS**

15" | T2D152484.5I2(L/R)
 18" | T2D182484.5I2(L/R)
 24" | T2D242484.5I2(L/R)



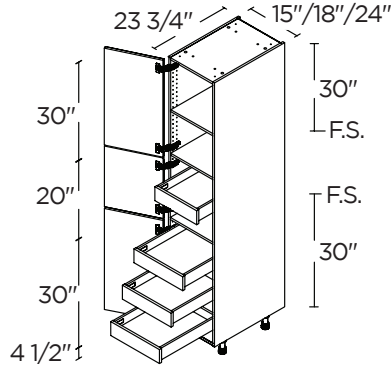
**2 DOORS / 3 DRAWERS
 / 2 INNER DRAWERS**

15" | T3D152484.5I2(L/R)
 18" | T3D182484.5I2(L/R)
 24" | T3D242484.5I2(L/R)



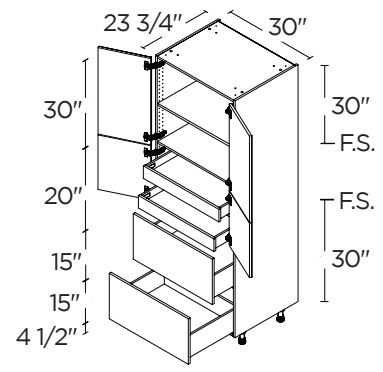
**2 DOORS / 3 DRAWERS
 2 INNER DRAWERS**

15" | T3DA152484.5I2(L/R)
 18" | T3DA182484.5I2(L/R)
 24" | T3DA242484.5I2(L/R)



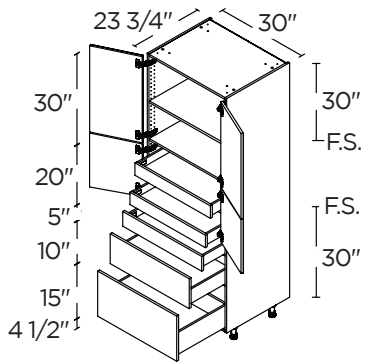
**3 DOORS / 4 INNER
 DRAWERS**

15" | T152484.5I4(L/R)
 18" | T182484.5I4(L/R)
 24" | T242484.5I4(L/R)



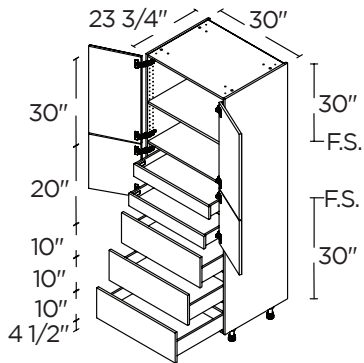
**4 DOORS / 2 DRAWERS
 2 INNER DRAWERS**

30" | T2D302484.5I2



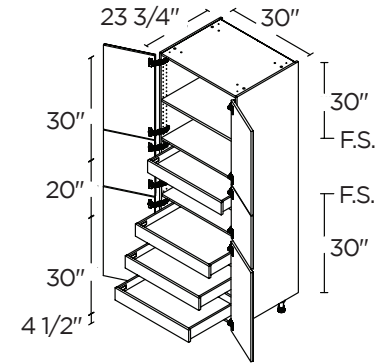
**4 DOORS / 3 DRAWERS
 2 INNER DRAWERS**

30" | T3D302484.5I2



**4 DOORS / 3 DRAWERS
 2 INNER DRAWERS**

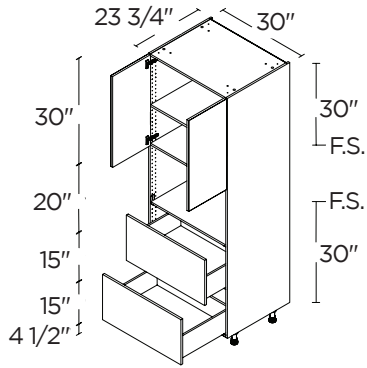
30" | T3DA302484.5I2



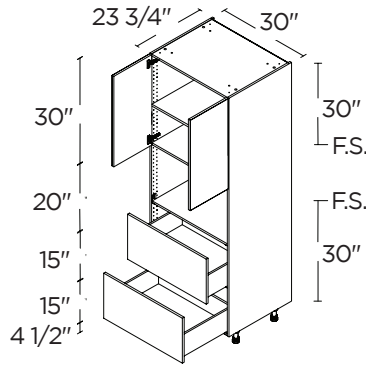
**6 DOORS / 4 INNER
 DRAWERS**

30" | T302484.5I4

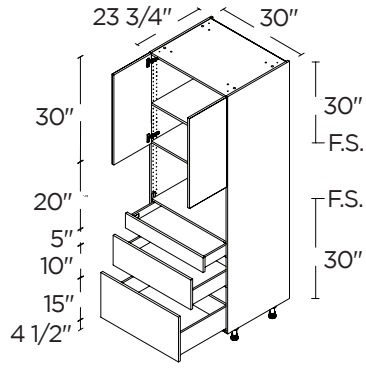
84 1/2" H TALL CABINETS



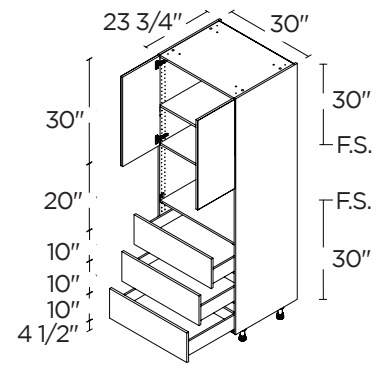
MICROWAVE ¹
2 DOORS /
2 DRAWERS
30" | TM2D3084.5



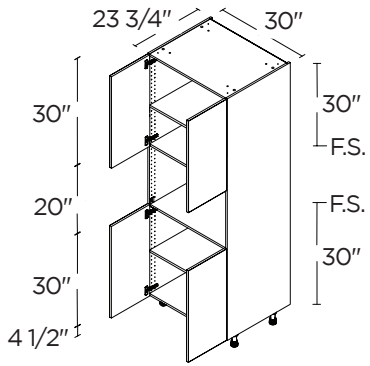
MICROWAVE ¹
2 DOORS /
2 DRAWERS
30" | TM2D3084.5



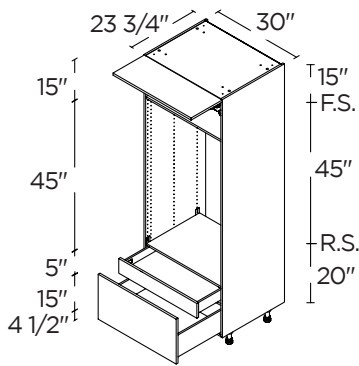
MICROWAVE ¹
2 DOORS /
3 DRAWERS
30" | TM3D3084.5



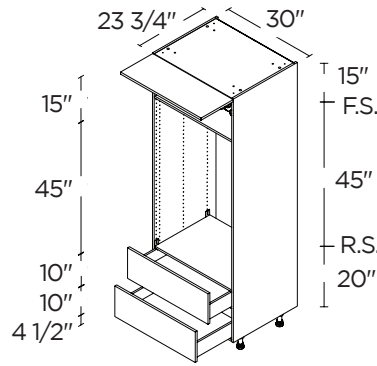
MICROWAVE ¹
2 DOORS /
3 DRAWERS
30" | TM3DA3084.5



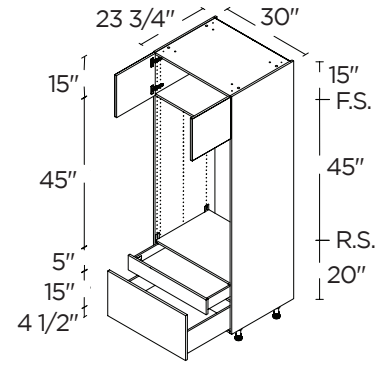
MICROWAVE ¹
4 DOORS
30" | TM3084.5



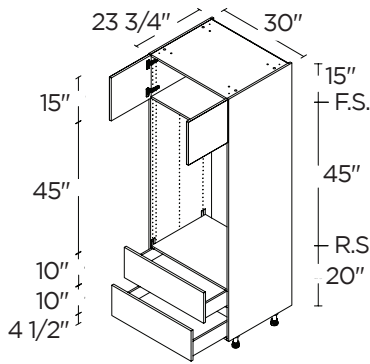
MICRO/WALL OVEN ²
1 LIFT-UP DOOR /
2 DRAWERS
30" | TMOL2D3084.5



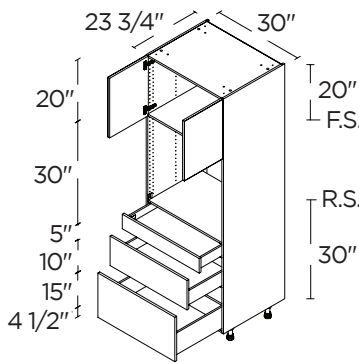
MICRO/WALL OVEN ²
1 LIFT-UP DOOR /
2 DRAWERS
30" | TMOL2DA3084.5



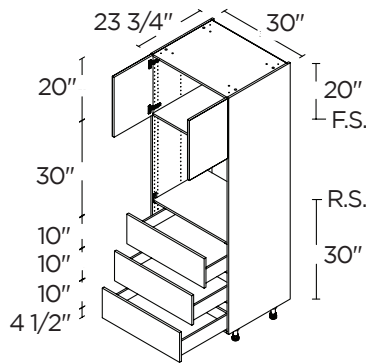
MICRO/WALL OVEN ²
2 DOORS /
2 DRAWERS
30" | TMO2D3084.5



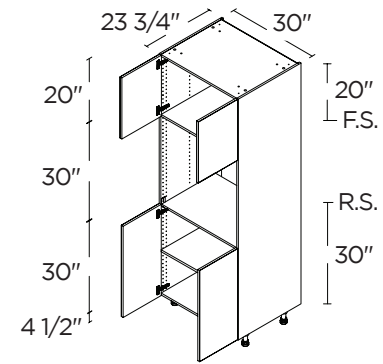
MICRO/WALL OVEN ²
2 DOORS /
2 DRAWERS
30" | TMO2DA3084.5



SINGLE OVEN ⁴
2 DOORS /
3 DRAWERS
30" | T03D3084.5



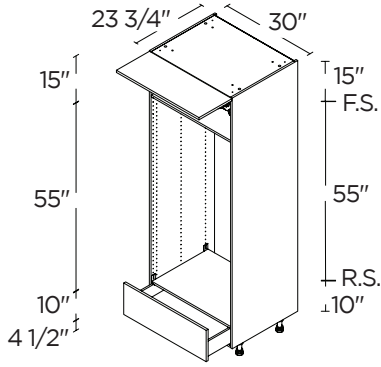
SINGLE OVEN ⁴
2 DOORS /
3 DRAWERS
30" | T03DA3084.5



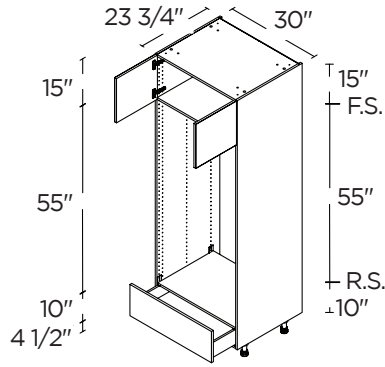
SINGLE OVEN ⁴
4 DOORS
30" | T03084.5

RS = Reinforced Shelf. FS = Fixed Shelf. **Appliance cut-out sizes:** (use of a filler is required and must be ordered separately): ¹28 1/2" width x 18 1/2" high. ²28 1/2" width x 43 1/2" high. ³28 1/2" width x 53 1/2" high. ⁴28 1/2" width x 28 1/2" high.

84 1/2" H TALL CABINETS

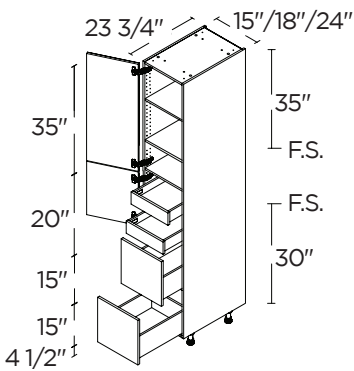


DOUBLE OVEN³
1 LIFT-UP DOOR /
1 DRAWER
30" | TDOLA3084.5

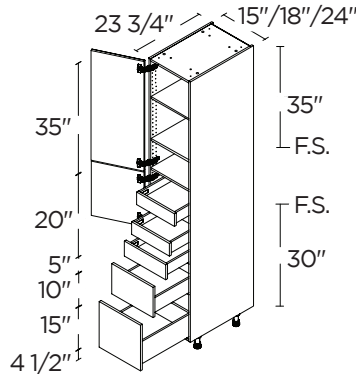


DOUBLE OVEN³
2 DOORS /
1 DRAWER
30" | TD0A3084.5

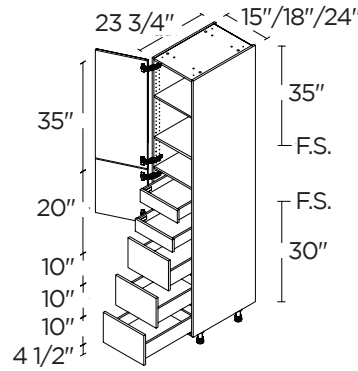
89 1/2" H TALL CABINETS



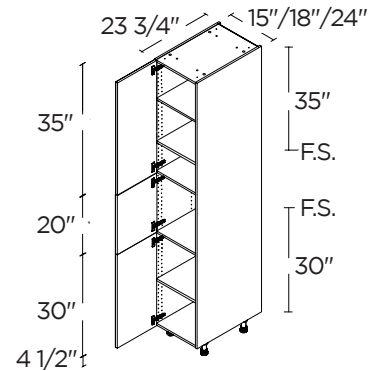
2 DOORS / 2 DRAWERS
2 INNER DRAWERS
15" | T2D152489.5I2(L/R)
18" | T2D182489.5I2(L/R)
24" | T2D242489.5I2(L/R)



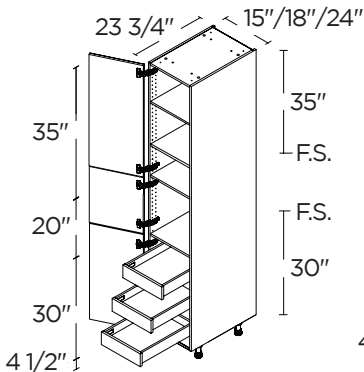
2 DOORS / 3 DRAWERS
2 INNER DRAWERS
15" | T3D152489.5I2(L/R)
18" | T3D182489.5I2(L/R)
24" | T3D242489.5I2(L/R)



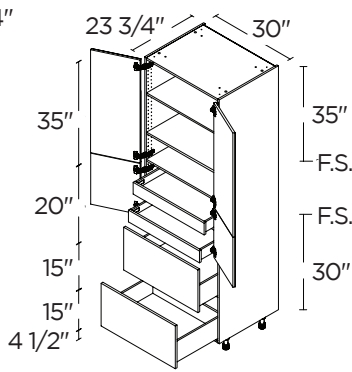
2 DOORS / 3 DRAWERS
2 INNER DRAWERS
15" | T3DA152489.5I2(L/R)
18" | T3DA182489.5I2(L/R)
24" | T3DA242489.5I2(L/R)



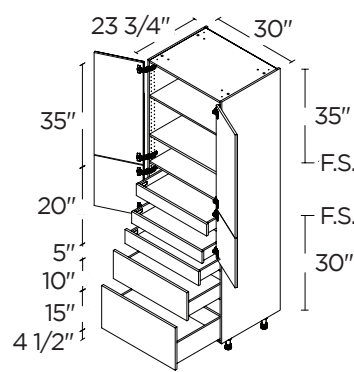
3 DOORS
15" | T152489.5(L/R)
18" | T182489.5(L/R)
24" | T242489.5(L/R)



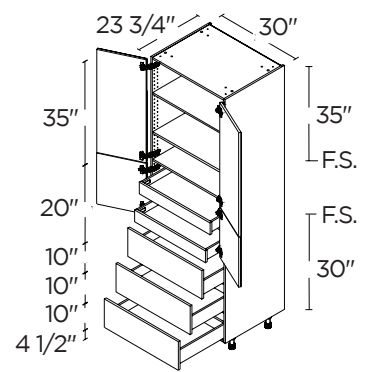
3 DOORS / 3 INNER
DRAWERS
15" | T152489.5I3(L/R)
18" | T182489.5I3(L/R)
24" | T242489.5I3(L/R)



4 DOORS / 2 DRAWERS
2 INNER DRAWERS
30" | T2D302489.5I2



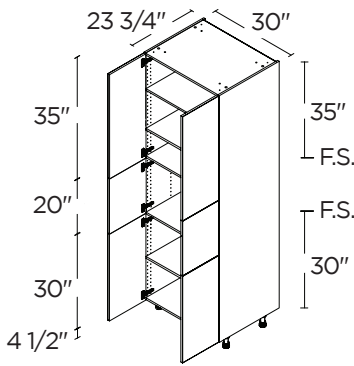
4 DOORS / 3 DRAWERS
2 INNER DRAWERS
30" | T3D302489.5I2



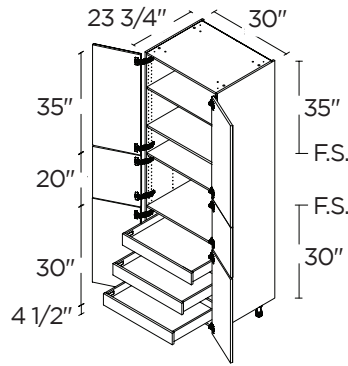
4 DOORS / 3 DRAWERS
2 INNER DRAWERS
30" | T3DA302489.5I2

RS = Reinforced Shelf. FS = Fixed Shelf. **Appliance cut-out sizes:** (use of a filler is required and must be ordered separately): ¹28 1/2" width x 18 1/2" high. ²28 1/2" width x 43 1/2" high. ³28 1/2" width x 53 1/2" high. ⁴28 1/2" width x 28 1/2" high.

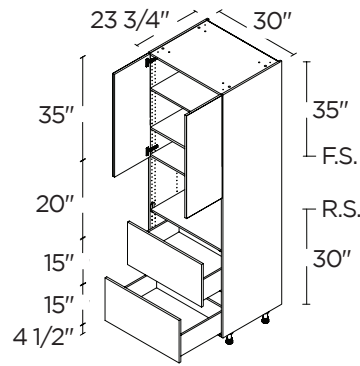
89 1/2" H TALL CABINETS



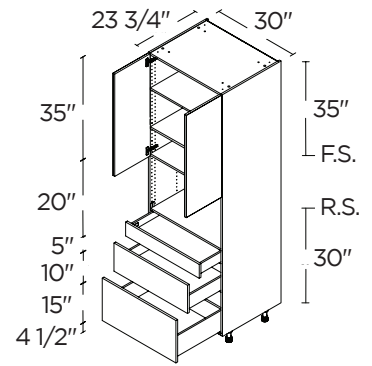
6 DOORS
30" | T302489.5



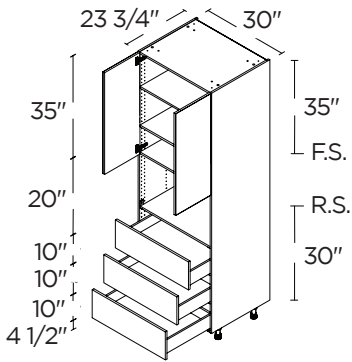
6 DOORS / 3 INNER DRAWERS
30" | T302489.5I3



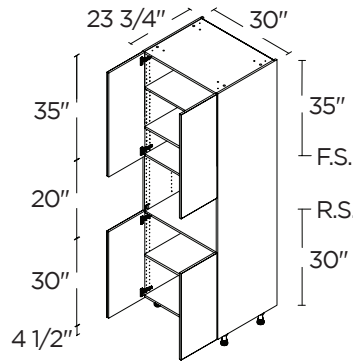
MICROWAVE¹
2 DOORS / 2 DRAWERS
30" | TM2D3089.5



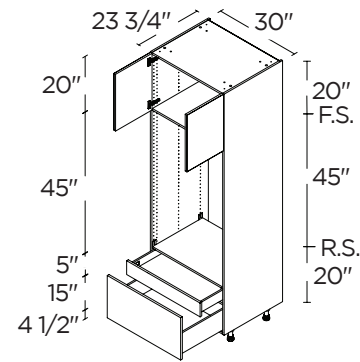
MICROWAVE¹
2 DOORS / 3 DRAWERS
30" | TM3D3089.5



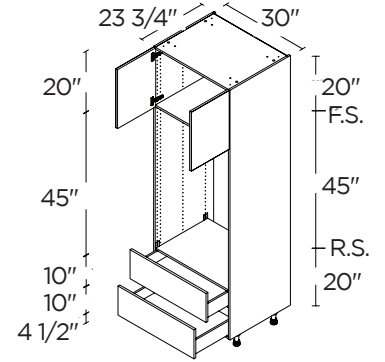
MICROWAVE¹
2 DOORS / 3 DRAWERS
30" | TM3DA3089.5



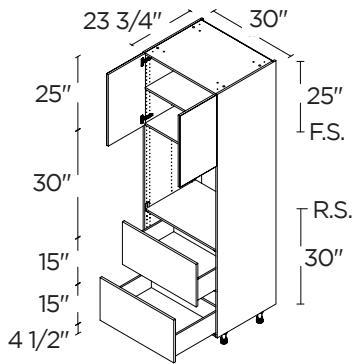
MICROWAVE¹
4 DOORS
30" | TM3089.5



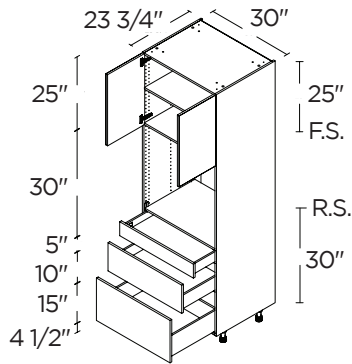
MICRO/WALL OVEN²
2 DOORS / 2 DRAWERS
30" | TM02D3089.5



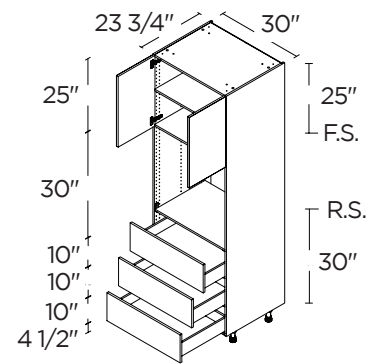
MICRO/WALL OVEN²
2 DOORS / 2 DRAWERS
30" | TM02DA3089.5



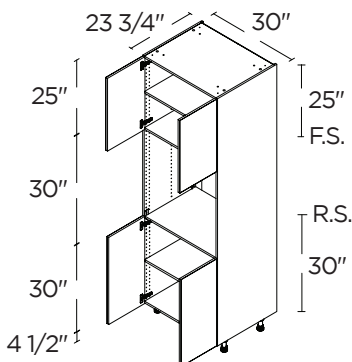
SINGLE OVEN³
2 DOORS / 2 DRAWERS
30" | T02D3089.5



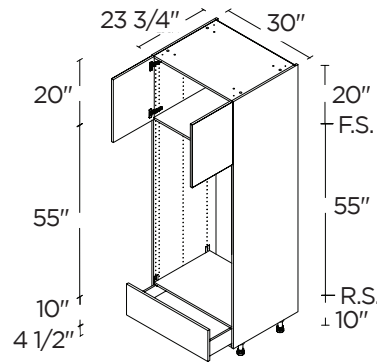
SINGLE OVEN³
2 DOORS / 3 DRAWERS
30" | T03D3089.5



SINGLE OVEN³
2 DOORS / 3 DRAWERS
30" | T03DA3089.5



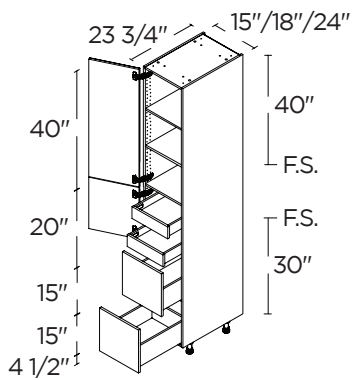
SINGLE OVEN³
4 DOORS
30" | T03089.5



DOUBLE OVEN³
2 DOORS / 1 DRAWER
30" | TD0A3089.5

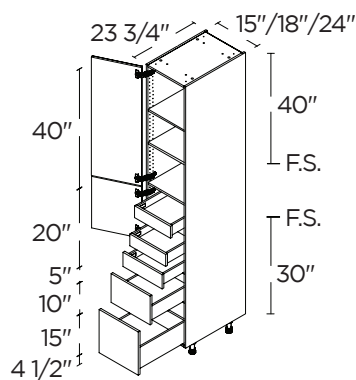
RS = Reinforced Shelf. FS = Fixed Shelf. **Appliance cut-out sizes:** (use of a filler is required and must be ordered separately): ¹28 1/2" width x 18 1/2" high. ²28 1/2" width x 43 1/2" high. ³28 1/2" width x 53 1/2" high. ⁴28 1/2" width x 28 1/2" high.

94 1/2" H TALL CABINETS



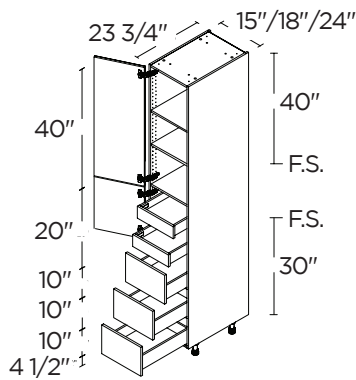
**2 DOORS / 2 DRAWERS
2 INNER DRAWERS**

15" | T2D152494.5I2(L/R)
18" | T2D182494.5I2(L/R)
24" | T2D242494.5I2(L/R)



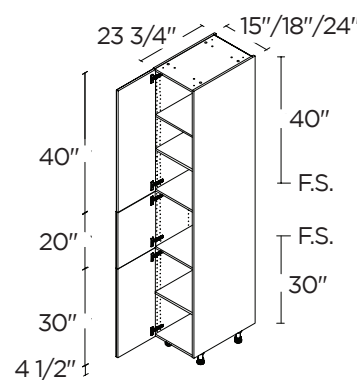
**2 DOORS / 3 DRAWERS
/ 2 INNER DRAWERS**

15" | T3D152494.5I2(L/R)
18" | T3D182494.5I2(L/R)
24" | T3D242494.5I2(L/R)



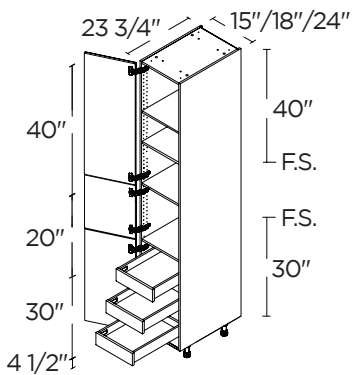
**2 DOORS / 3 DRAWERS
2 INNER DRAWERS**

15" | T3DA152494.5I2(L/R)
18" | T3DA182494.5I2(L/R)
24" | T3DA242494.5I2(L/R)



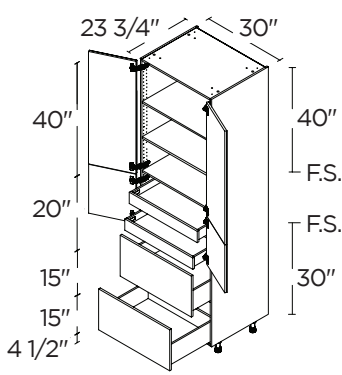
3 DOORS

15" | T152494.5(L/R)
18" | T182494.5(L/R)
24" | T242494.5(L/R)



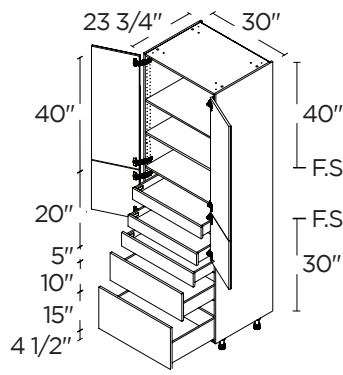
**3 DOORS / 3 INNER
DRAWERS**

15" | T152494.5I3(L/R)
18" | T182494.5I3(L/R)
24" | T242494.5I3(L/R)



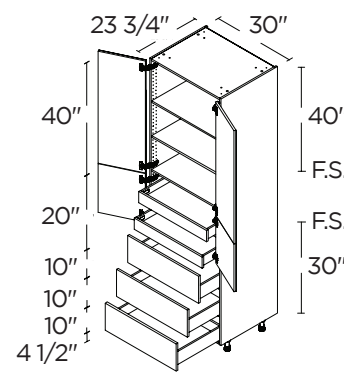
**4 DOORS / 2 DRAWERS
2 INNER DRAWERS**

30" | T2D302494.5I2



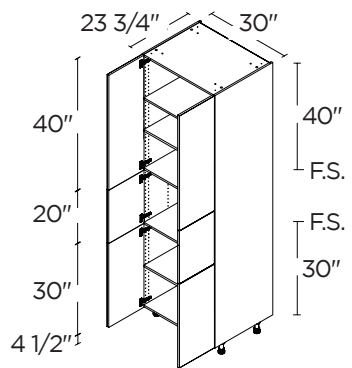
**4 DOORS / 3 DRAWERS
2 INNER DRAWERS**

30" | T3D302494.5I2



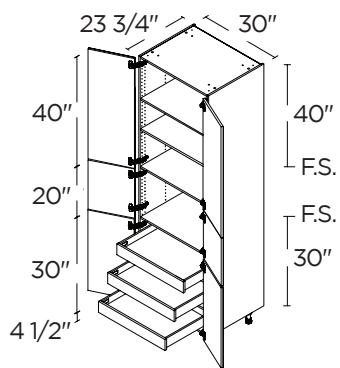
**4 DOORS / 3 DRAWERS
2 INNER DRAWERS**

30" | T3DA302494.5I2



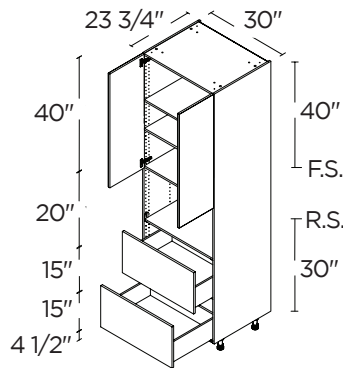
6 DOORS

30" | T302494.5



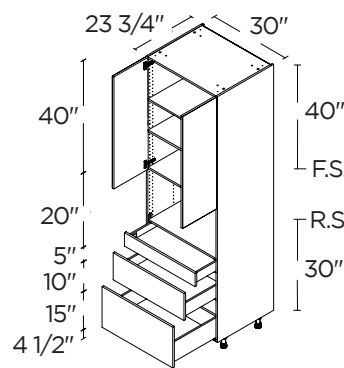
**6 DOORS / 3 INNER
DRAWERS**

30" | T302494.5I3



**MICROWAVE¹
2 DOORS /
2 DRAWERS**

30" | TM2D3094.5

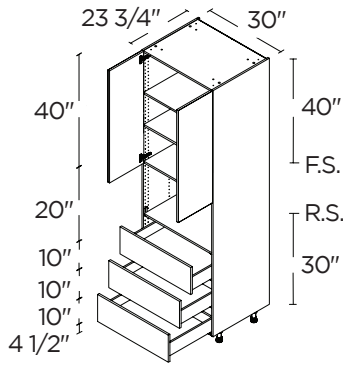


**MICROWAVE¹
2 DOORS /
3 DRAWERS**

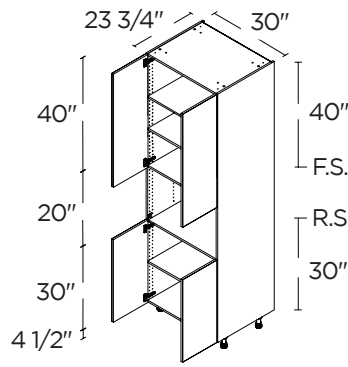
30" | TM3D3094.5

RS = Reinforced Shelf. FS = Fixed Shelf. **Appliance cut-out sizes:** (use of a filler is required and must be ordered separately); ¹28 1/2" width x 18 1/2" high. ²28 1/2" width x 43 1/2" high. ³28 1/2" width x 53 1/2" high. ⁴28 1/2" width x 28 1/2" high.

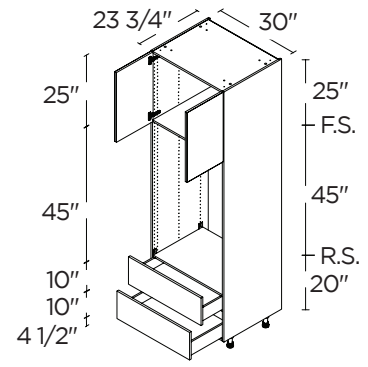
94 1/2" H TALL CABINETS



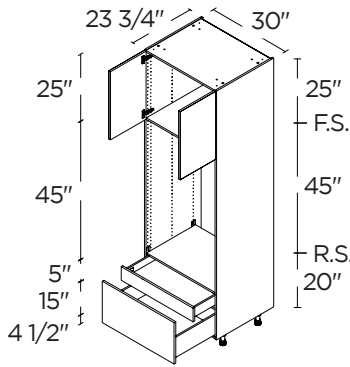
MICROWAVE ¹
2 DOORS /
3 DRAWERS
30" | TM3DA3094.5



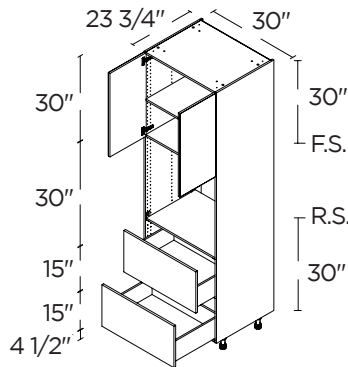
MICROWAVE ¹
4 DOORS
30" | TM3094.5



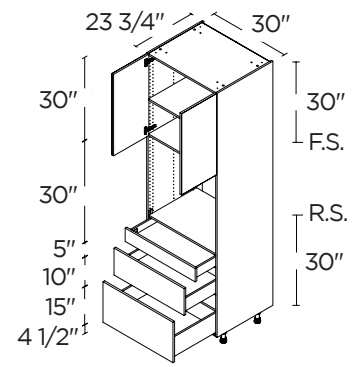
MICRO/WALL OVEN ²
2 DOORS / 2 DRAWERS
30" | TM02DA3094.5



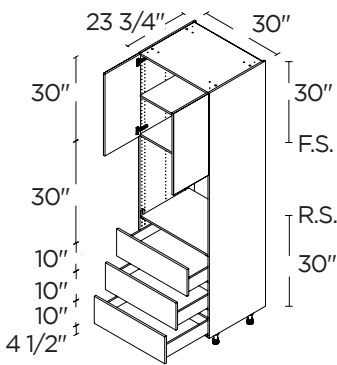
MICRO/WALL OVEN ²
2 DOORS / 2 DRAWERS
30" | TM02D3094.5



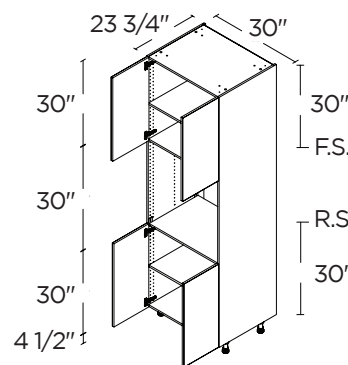
SINGLE OVEN ³
2 DOORS / 2 DRAWERS
30" | T02D3094.5



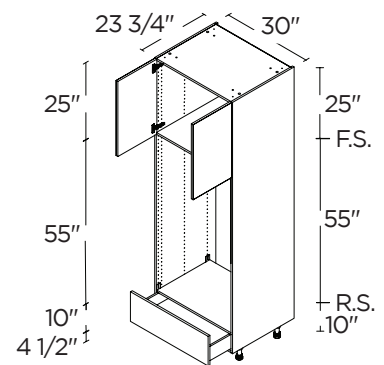
SINGLE OVEN ³
2 DOORS / 3 DRAWERS
30" | T03D3094.5



SINGLE OVEN ³
2 DOORS / 3 DRAWERS
30" | T03DA3094.5



SINGLE OVEN ³
4 DOORS
30" | T03094.5



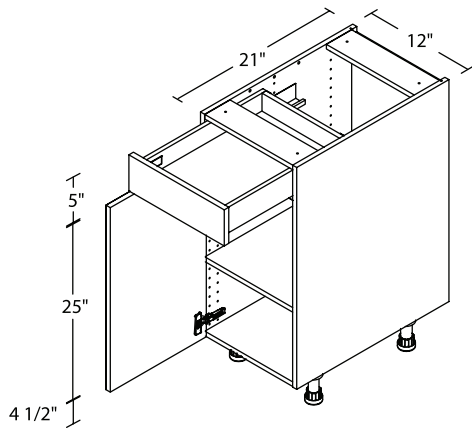
DOUBLE OVEN ³
2 DOORS / 1 DRAWER
30" | TD0A3094.5

RS = Reinforced Shelf. FS = Fixed Shelf. **Appliance cut-out sizes:** (use of a filler is required and must be ordered separately): ¹28 1/2" width x 18 1/2" high. ²28 1/2" width x 43 1/2" high. ³28 1/2" width x 53 1/2" high. ⁴28 1/2" width x 28 1/2" high.

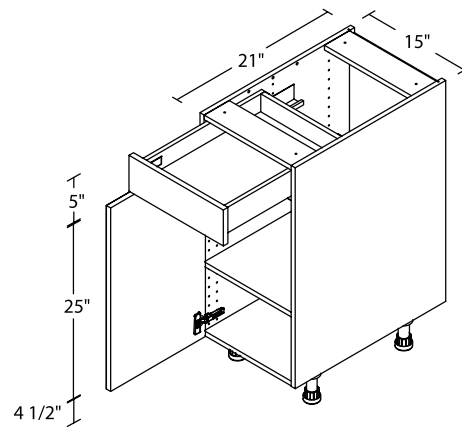
STANDARD VANITY CABINETS



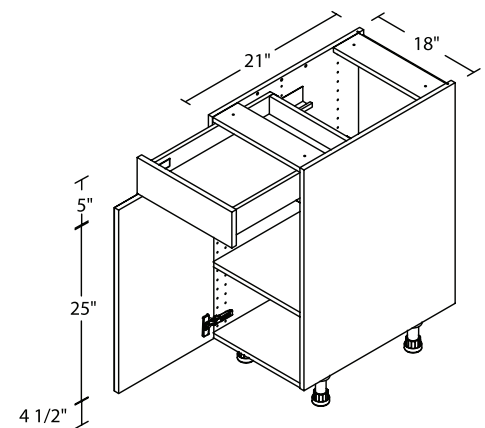
All cabinets are produced with white interiors.
Vanity cabinets are not available with dovetail drawers.



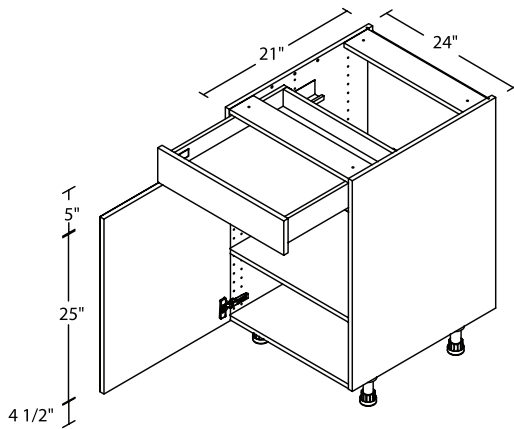
1 DOOR / 1 DRAWER
12" | V12(L/R)



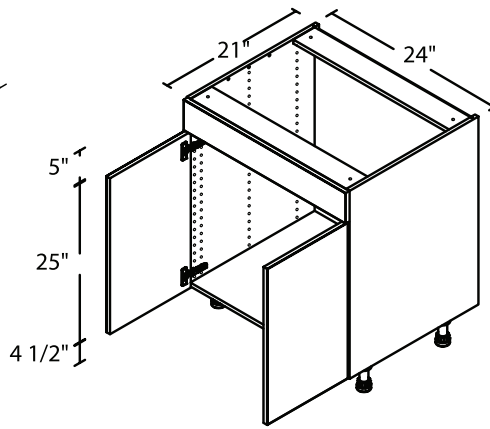
1 DOOR / 1 DRAWER
15" | V15(L/R)



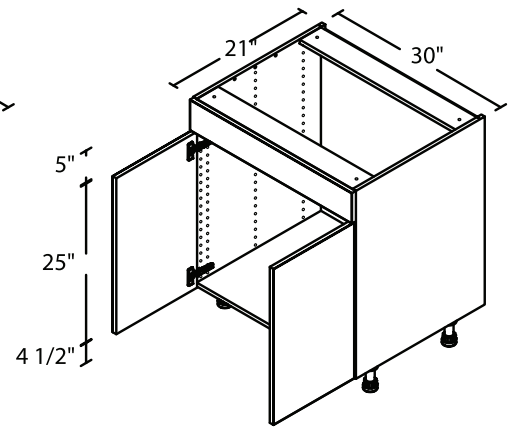
1 DOOR / 1 DRAWER
18" | V18(L/R)



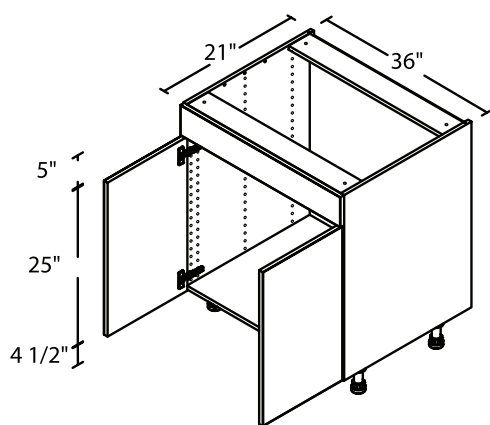
1 DOOR / 1 DRAWER
24" | V24(L/R)



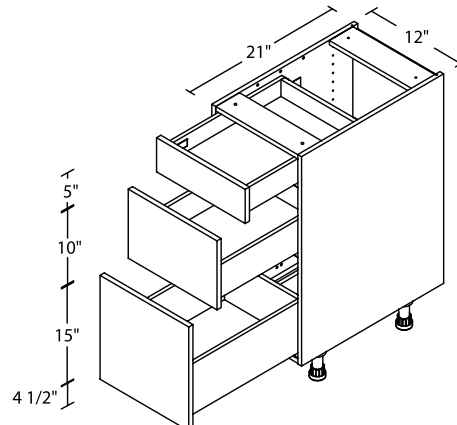
2 DOORS
24" | VS24



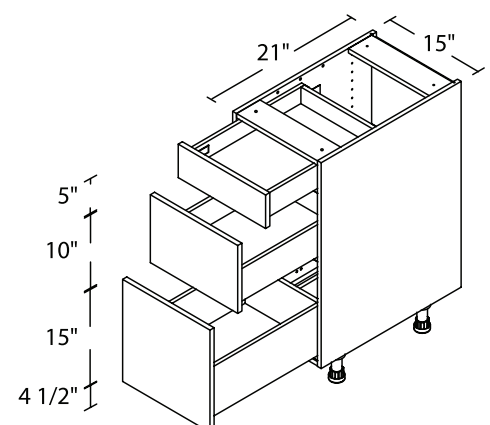
2 DOORS
30" | VS30



2 DOORS
36" | VS36

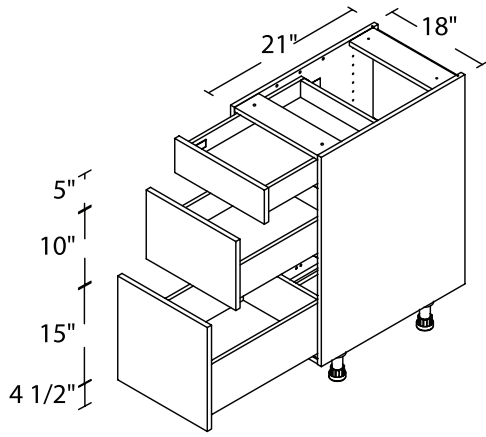


3 DRAWERS
12" | V3D12

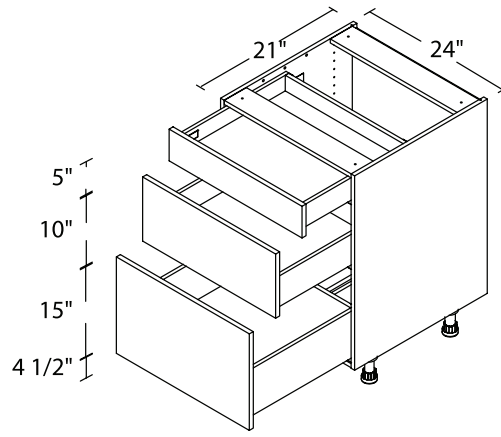


3 DRAWERS
15" | V3D15

STANDARD VANITY CABINETS



3 DRAWERS
18" | V3D18

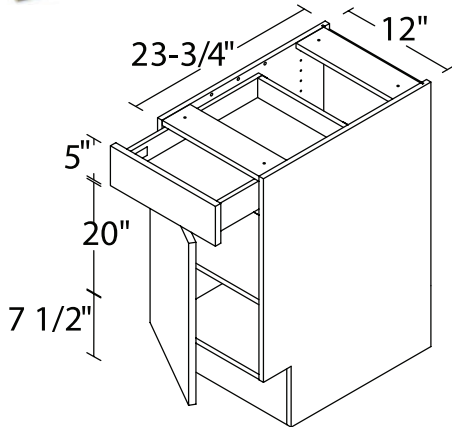


3 DRAWERS
24" | V3D24

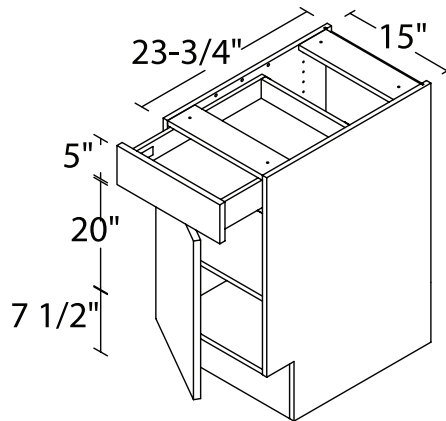
UNIVERSAL KITCHEN CABINETS



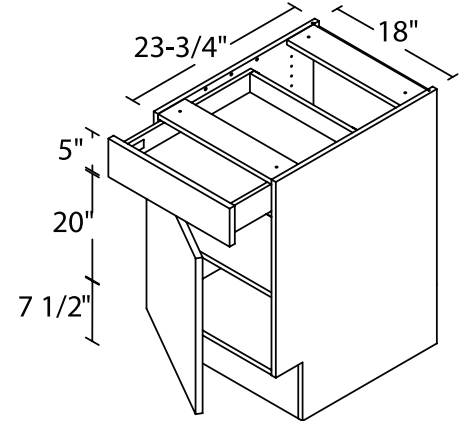
All cabinets are produced with white interiors.



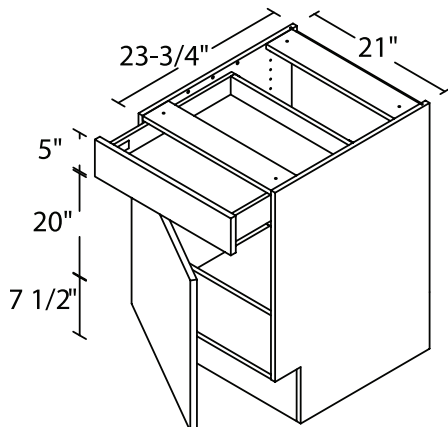
1 DOOR / 1 DRAWER
12" | B12ADA



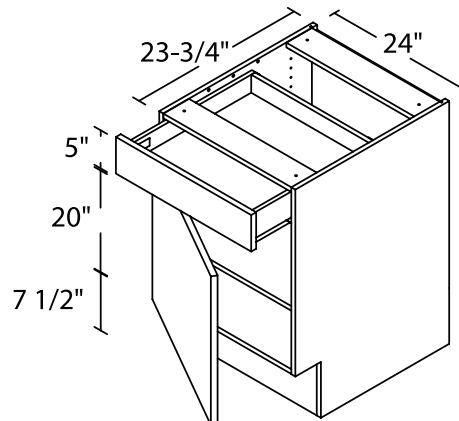
1 DOOR / 1 DRAWER
15" | B15ADA



1 DOOR / 1 DRAWER
18" | B18ADA

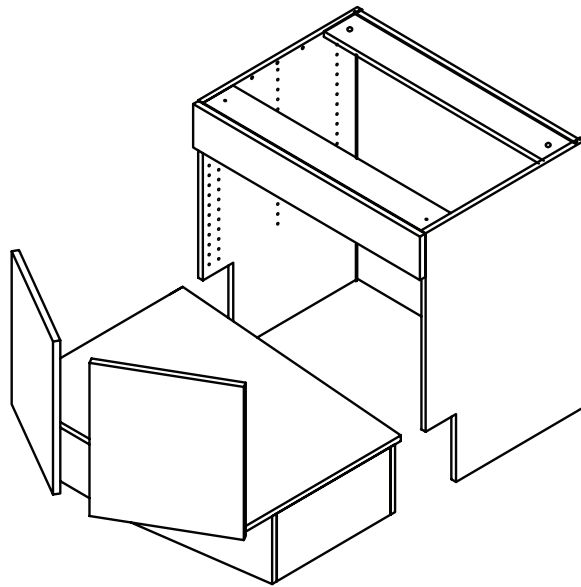
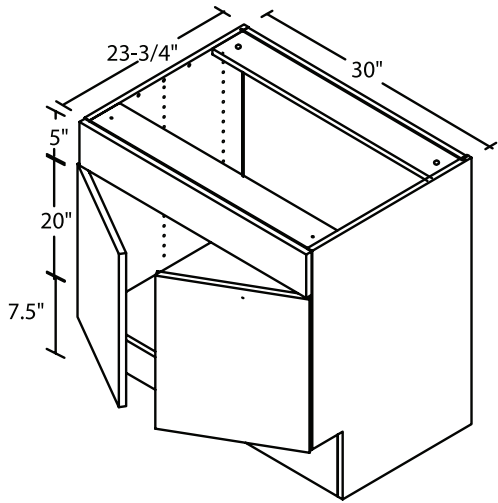


1 DOOR / 1 DRAWER
21" | B21ADA

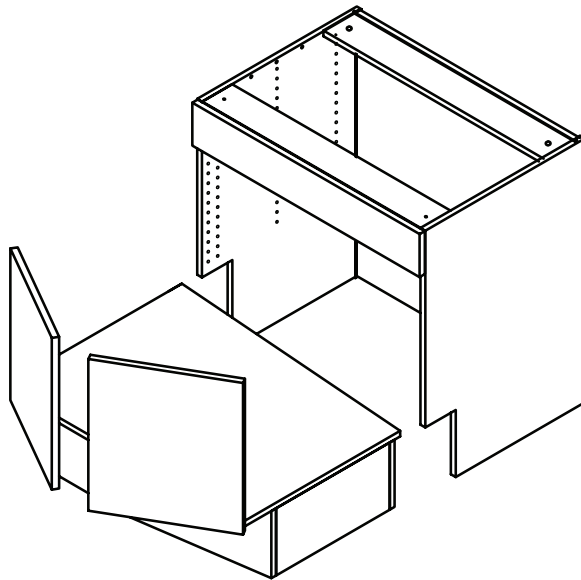
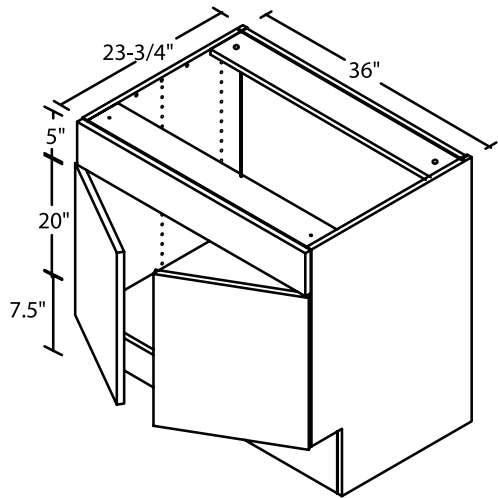


1 DOOR / 1 DRAWER
24" | B24ADA

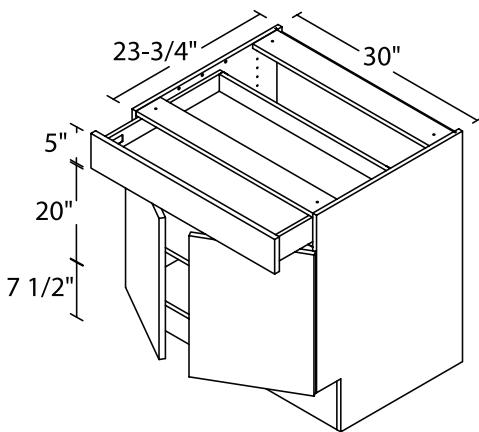
UNIVERSAL KITCHEN CABINETS



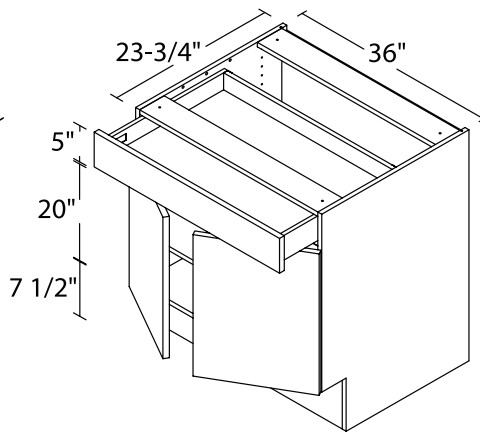
2 DOORS
30" | SB30FFRFADA



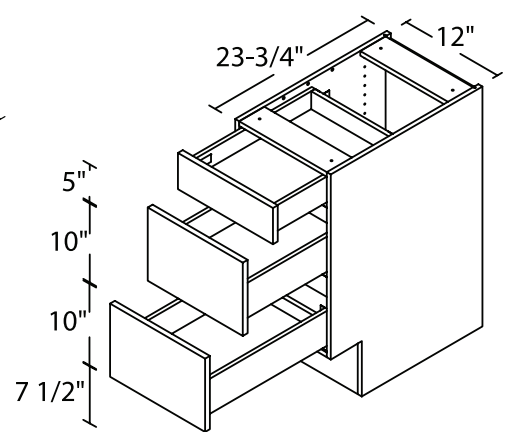
2 DOORS
36" | SB36FFRFADA



2 DOORS / 1 DRAWER
30" | B30ADA

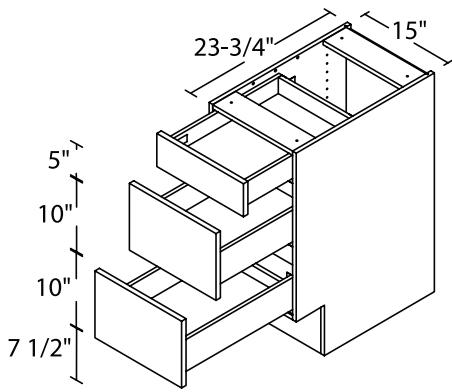


2 DOORS / 1 DRAWER
36" | B36ADA

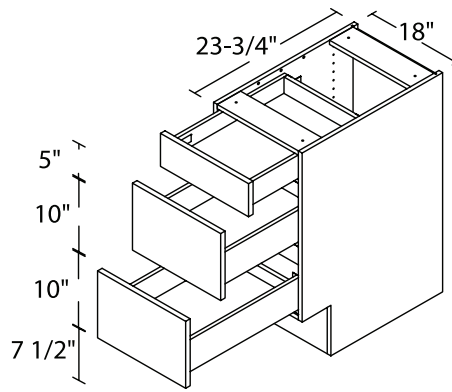


3 DRAWERS
12" | B3D12ADA

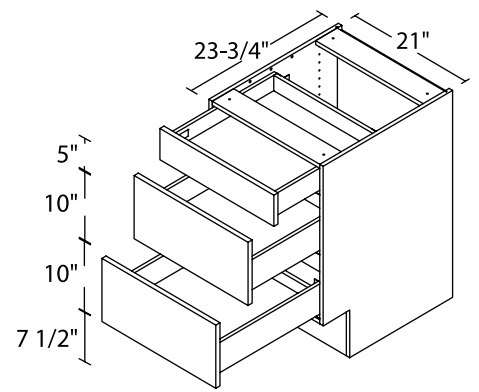
UNIVERSAL KITCHEN CABINETS



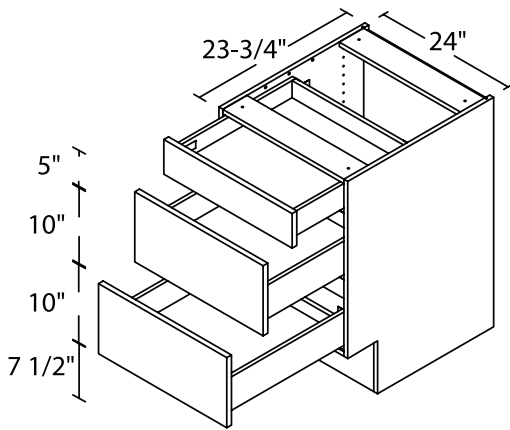
3 DRAWERS
15" | B3D15ADA



3 DRAWERS
18" | B3D18ADA



3 DRAWERS
21" | B3D21ADA

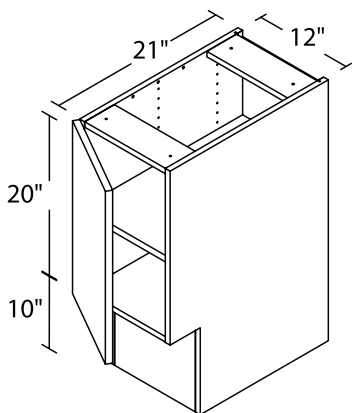


3 DRAWERS
24" | B3D24ADA

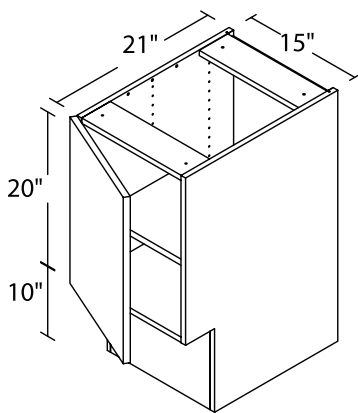
UNIVERSAL VANITY CABINETS



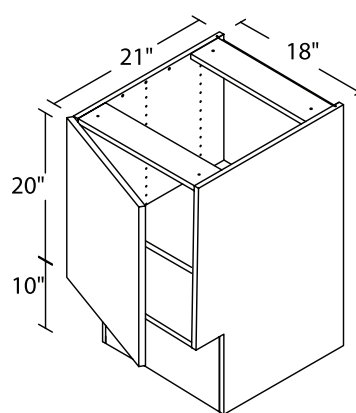
All cabinets are produced with white interiors.
Vanity cabinets are not available with dovetail drawers.



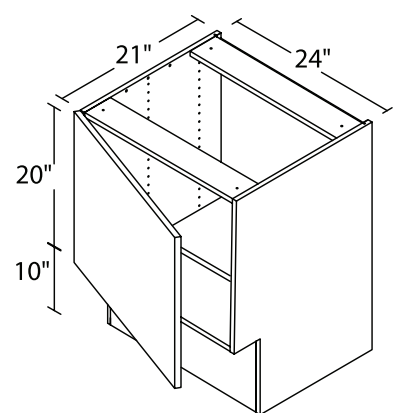
1 DOOR
12" | V12ADA(L/R)



1 DOOR
15" | V15ADA(L/R)

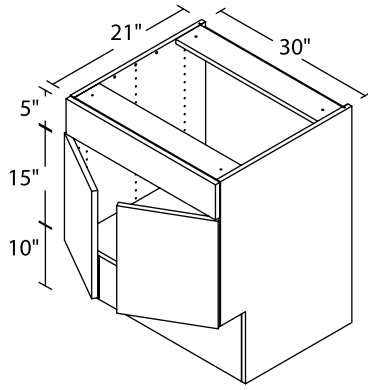


1 DOOR
18" | V18ADA(L/R)

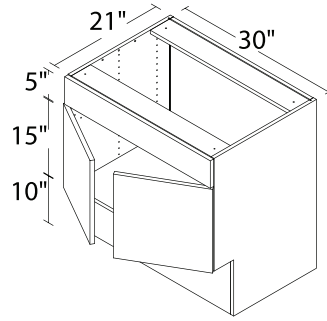


1 DOOR
24" | V24ADA(L/R)

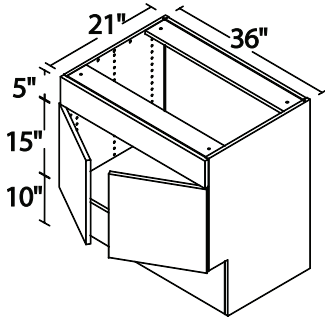
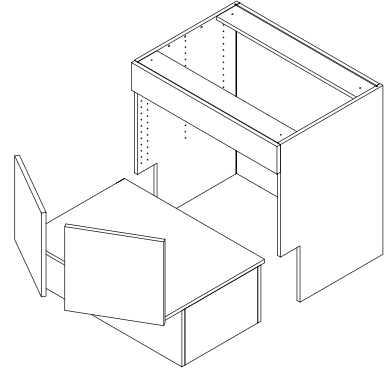
UNIVERSAL VANITY CABINETS



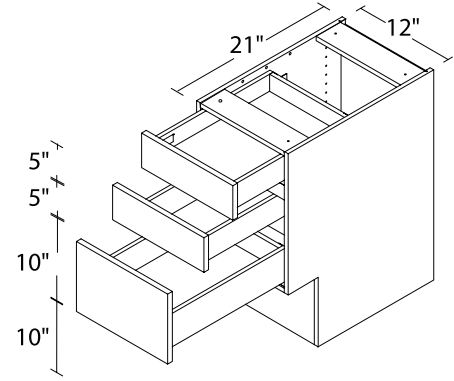
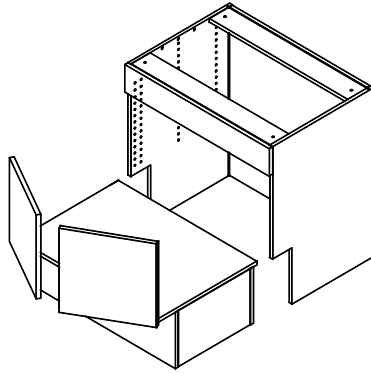
2 DOORS
30" | VS30ADA



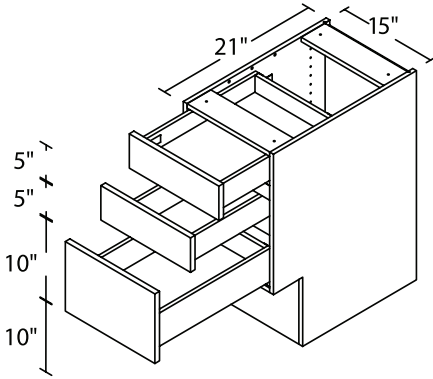
2 DOORS
30" | VS30FFRFADA



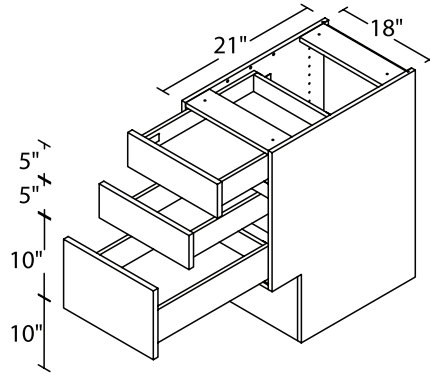
2 DOORS
36" | VS36FFRFADA



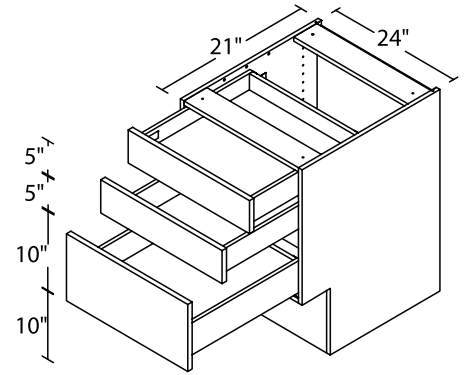
3 DRAWERS
12" | V3D12ADA



3 DRAWERS
15" | V3D15ADA

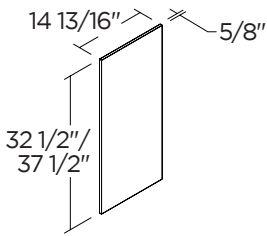


3 DRAWERS
18" | V3D18ADA



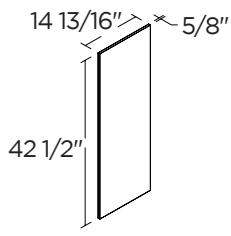
3 DRAWERS
24" | V3D24ADA

COLOR-MATCHED ACCESSORIES



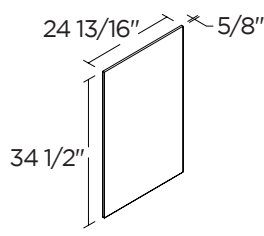
WALL CABINET COVER PANEL
14 13/16"

5/8 x 32 1/2" | CP1432
5/8 x 37 1/2" | CP1437



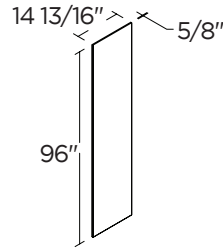
WALL COVER PANEL 14 13/16"

5/8 x 42 1/2" | CP1442



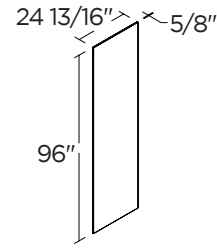
BASE CABINET COVER PANEL
24 13/16"

5/8 x 34 1/2" | CP2434



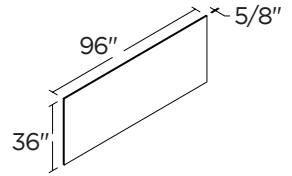
TALL CABINET COVER PANEL
14 13/16"

5/8 x 96" | CP1496



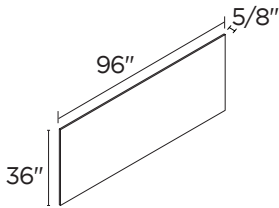
TALL CABINET COVER PANEL
24 13/16"

5/8 x 96" | CP2496



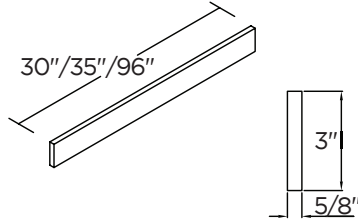
TALL CABINET & FRIDGE GABLE COVER PANEL 36"

5/8 x 96" | CP3696



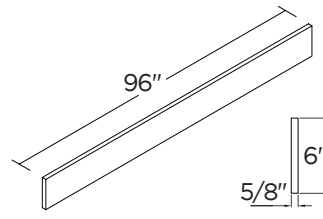
ISLAND PANEL 36"

5/8 x 96" | CP3696



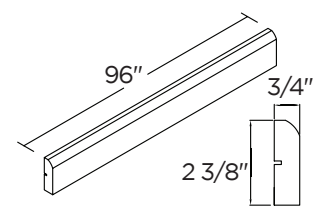
FILLER

3 x 5/8 x 30" | F330
3 x 5/8 x 35" | F335
3 x 5/8 x 96" | F396



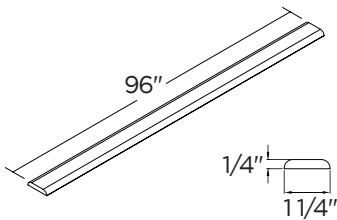
FILLER

6 x 5/8 x 96" | F696



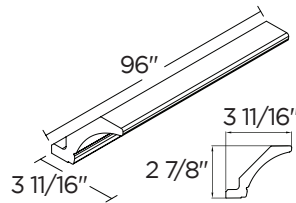
DECORATIVE MOULDING

Available for Veneto & Barletta only
96 x 2 3/8 x 3/4" | DMC2.596



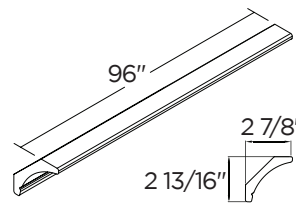
SCRIBE MOULDING

Not available for Sassari
96 x 1/4 x 1 1/4" | SBM96



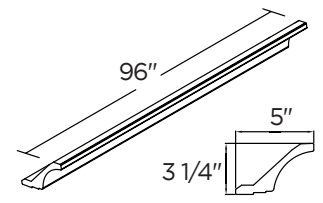
COVE CROWN MOULDING

With integrated cleat
Not available in Sassari
96 x 3 11/16 x 2 7/8" | CCM96C



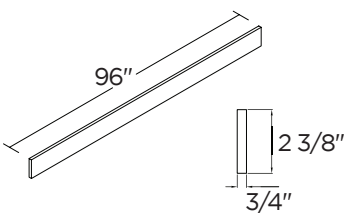
COVE CROWN MOULDING

Without cleat
Not available in Sassari
96 x 2 13/16 x 2 7/8" | CCM96NC



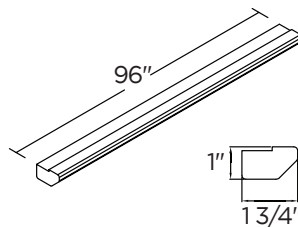
COVE PLAIN CROWN MOULDING

With integrated cleat
Available for Veneto & Barletta only
96 x 5 x 3 1/4" | CCMP96C



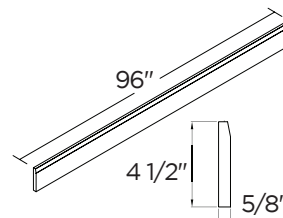
STRAIGHT LIGHT VALANCE MOULDING

96 x 2 3/8 x 3/4" | SLV96



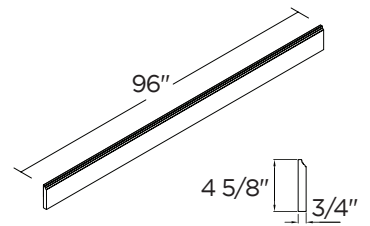
DECORATIVE LIGHT VALANCE MOULDING

Not available for Sassari
96 x 1 x 1 3/4" | DLV96



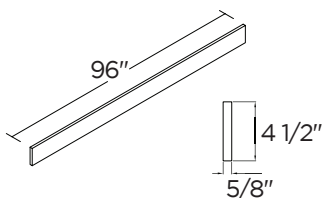
BASE MOULDING

Not available in Sassari
96 x 5/8 x 4 1/2" | BM96



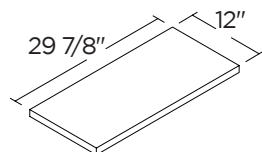
FURNITURE BASE MOULDING

Available for Veneto & Barletta only
96 x 3/4 x 4 5/8" | FBM96



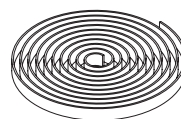
TOE KICK

96 x 5/8 x 4 1/2" | TK96



FLOATING SHELF

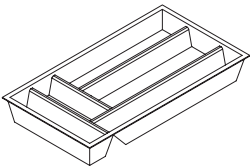
30 x 12 x 1 1/2" | FS30



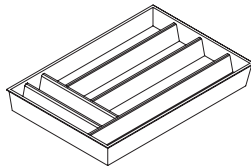
EDGE BANDING

35' roll | ET35

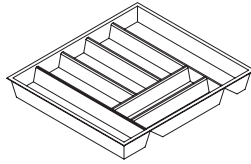
INTERIOR ACCESSORIES AND HARDWARE



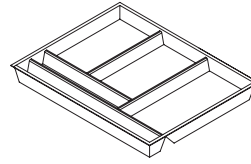
CUTLERY TRAY FOR 15" DRAWER
15 x 24" | CT15



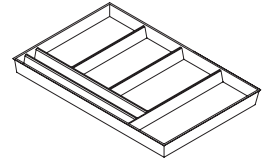
CUTLERY TRAY FOR 18" DRAWER
18 x 24" | CT18



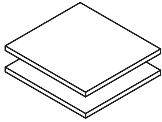
CUTLERY TRAY FOR 24" DRAWER
24 x 24" | CT24



CUTLERY TRAY FOR 30" DRAWER
30 x 24" | CT30

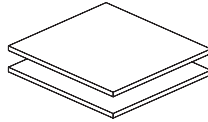


CUTLERY TRAY FOR 36" DRAWER
36 x 24" | CT36



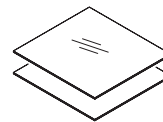
SHELVING FOR 14" DEEP CABINETS
- PACK OF 2

- 9 x 3/4" | SHL-914
- 12 x 3/4" | SHL-1214
- 15 x 3/4" | SHL-1514
- 18 x 3/4" | SHL-1814
- 21 x 3/4" | SHL-2114
- 24 x 3/4" | SHL-2414
- 27 x 3/4" | SHL-2714
- 30 x 3/4" | SHL-3014
- 33 x 3/4" | SHL-3314
- 36 x 3/4" | SHL-3614



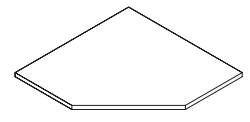
SHELVING FOR 24" DEEP CABINETS
- PACK OF 2

- 9 x 3/4" | SHL-924
- 12 x 3/4" | SHL-1224
- 15 x 3/4" | SHL-1524
- 18 x 3/4" | SHL-1824
- 21 x 3/4" | SHL-2124
- 24 x 3/4" | SHL-2424
- 27 x 3/4" | SHL-2724
- 30 x 3/4" | SHL-3024
- 33 x 3/4" | SHL-3324
- 36 x 3/4" | SHL-3624

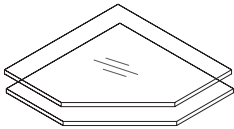


GLASS SHELVING FOR 14" DEEP CABINETS
- PACK OF 2

- 15 x 1/4" | GSHL-1514
- 18 x 1/4" | GSHL-1814
- 30 x 1/4" | GSHL-3014
- 36 x 1/4" | GSHL-3614



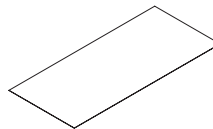
SHELF FOR WALL DIAGONAL CORNER CABINET
24" | SHL-2424 CORNER



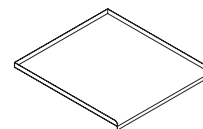
GLASS SHELVING FOR WALL DIAGONAL CORNER CABINET
CORNER - PACK OF 2
24" | GSHL-2424C



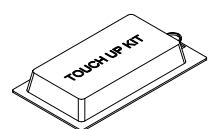
All standard interior shelving is 3/4" thick.
All glass interior shelving is 1/4" thick tempered glass.



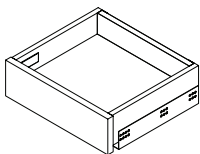
DRAWER MAT
Must be trimmed by installer
46 x 24" | DM46



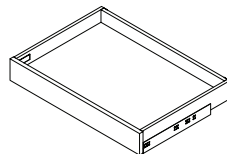
UNDER SINK MAT
30 x 24" | SBM30
36 x 24" | SBM36



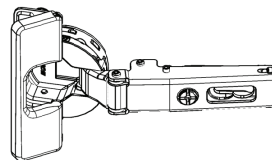
TOUCH-UP KIT (TUK)



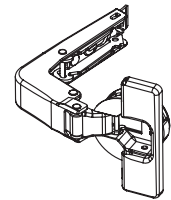
INNER DRAWER KIT FOR 14" DEEP CABINETS
15 x 3 3/8" | DK1514
18 x 3 3/8" | DK1814
24 x 3 3/8" | DK2414



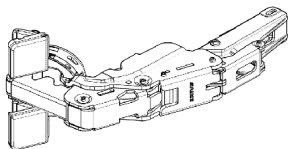
INNER DRAWER KIT FOR 24" DEEP CABINETS
12 x 3 3/8" | DK1224
15 x 3 3/8" | DK1524
18 x 3 3/8" | DK1824
21 x 3 3/8" | DK2124
24 x 3 3/8" | DK2424
27 x 3 3/8" | DK2724
30 x 3 3/8" | DK3024
33 x 3 3/8" | DK3324
36 x 3 3/8" | DK3624



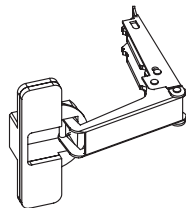
110 DEGREE HINGE
Used for standard doors
HIN110



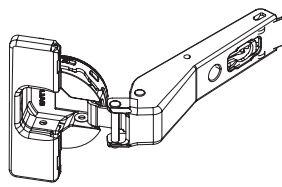
110 DEGREE BLIND CORNER HINGE
For use with blind corner cabinets
HINBC



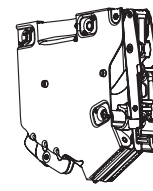
155 DEGREE HINGE
Must be used when adding interior drawers behind cabinet doors
HIN155



PIE-CUT HINGE
Used to connect BC36 door sets together
HINPC



DIAGONAL CORNER WALL HINGE
For use with diagonal wall corner cabinets
HIN45



HORIZONTAL LIFT-UP HINGE
Used to create lift-up doors
HINLU



All hinges are available in sets of 2.



Cassarya

C A B I N E T R Y

T: +1-877-726-7272

E: INFO@CASSARYA.COM

W: CASSARYA.COM